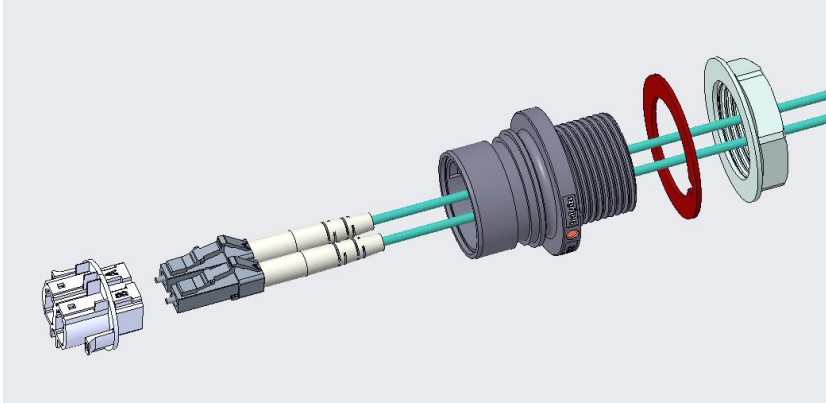
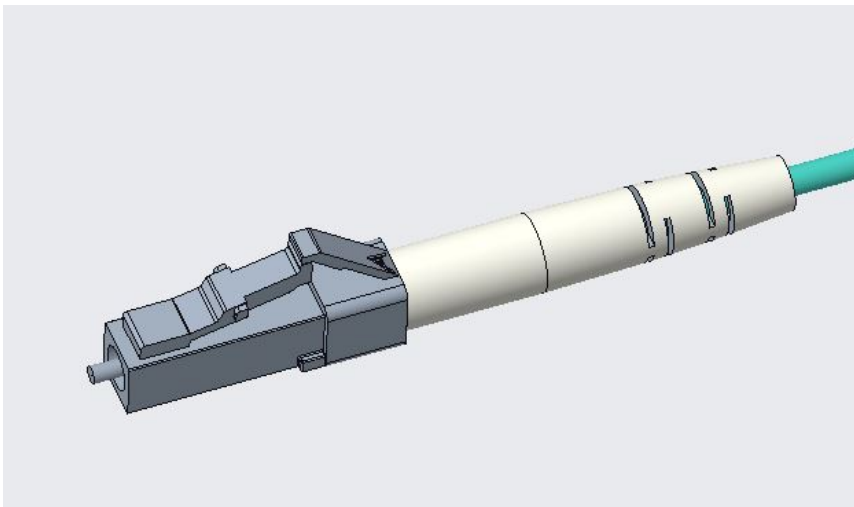


6000 Series Fibre Connector PXF6052 Assembly Instructions.

1. Exploded view of finished connector.



2. Assemble LC connectors to fibre in line with manufactures instructions.

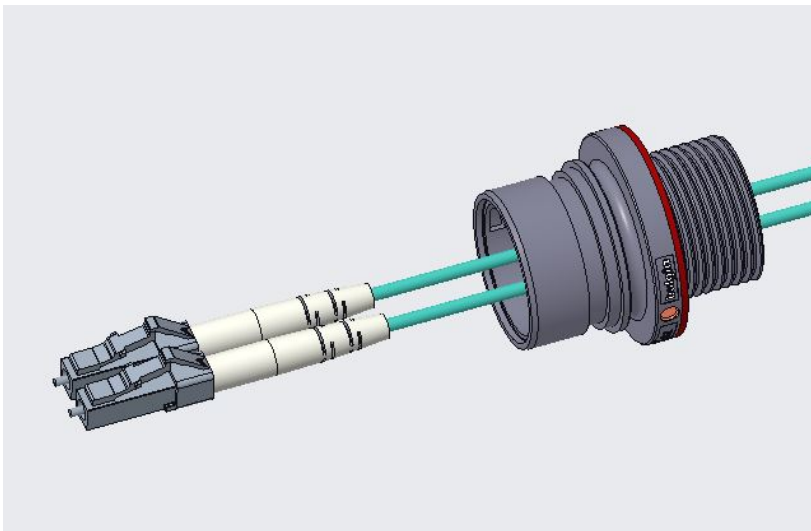


6000 Series Fibre Connector PXF6052 Assembly Instructions.

3. Fit seal washer to rear of housing.

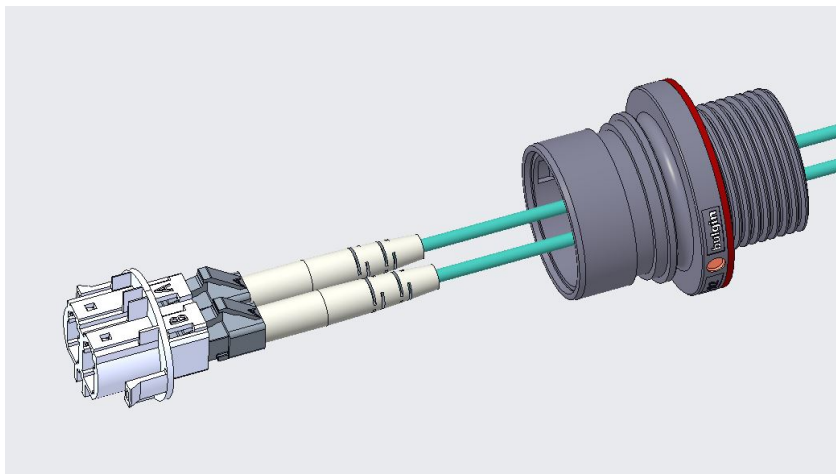


4. Pass LC connectors through body.

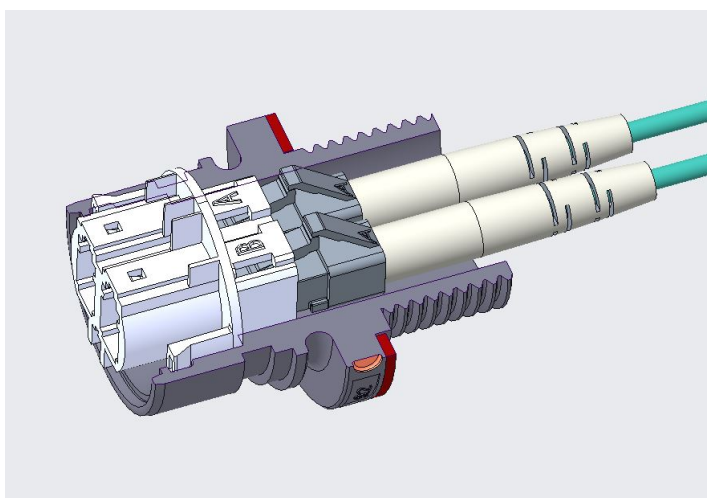


6000 Series Fibre Connector PXF6052 Assembly Instructions.

5. Fit LC connectors into duplex retainer.



6. Clip duplex retainer into housing.



6000 Series Fibre Connector PXF6052 Assembly Instructions.

8. Secure connector to panel with nut.

