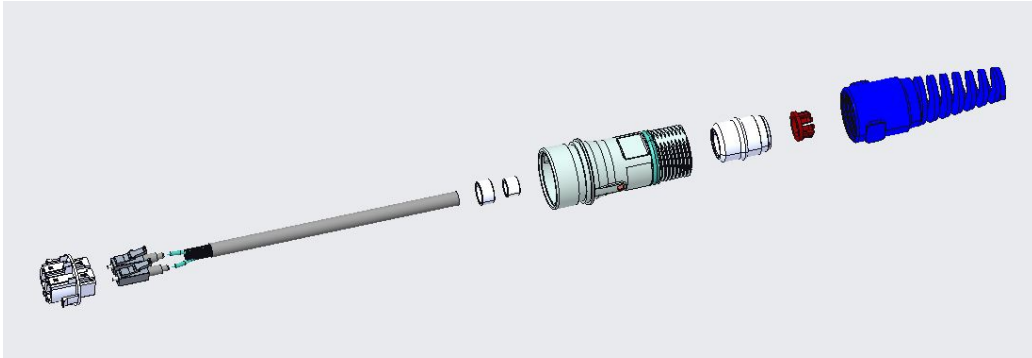
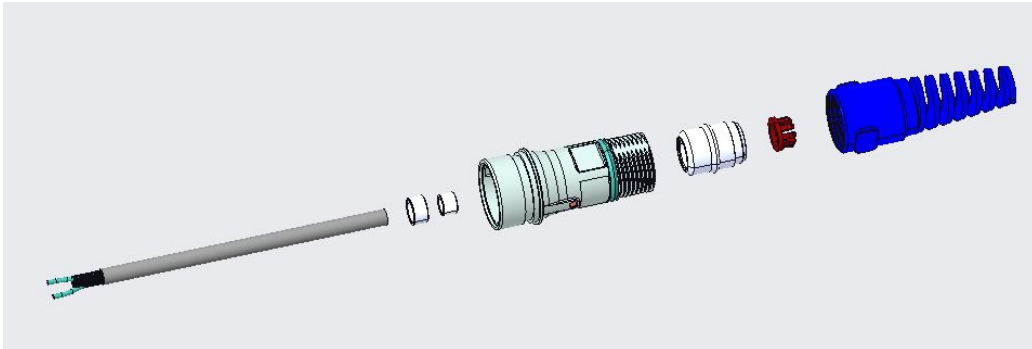


6000 Series Fibre Connector PXF6051 Assembly Instructions.

1. Exploded view of finished connector.



2. Before terminating LC connectors assemble connector parts onto cable in order shown.



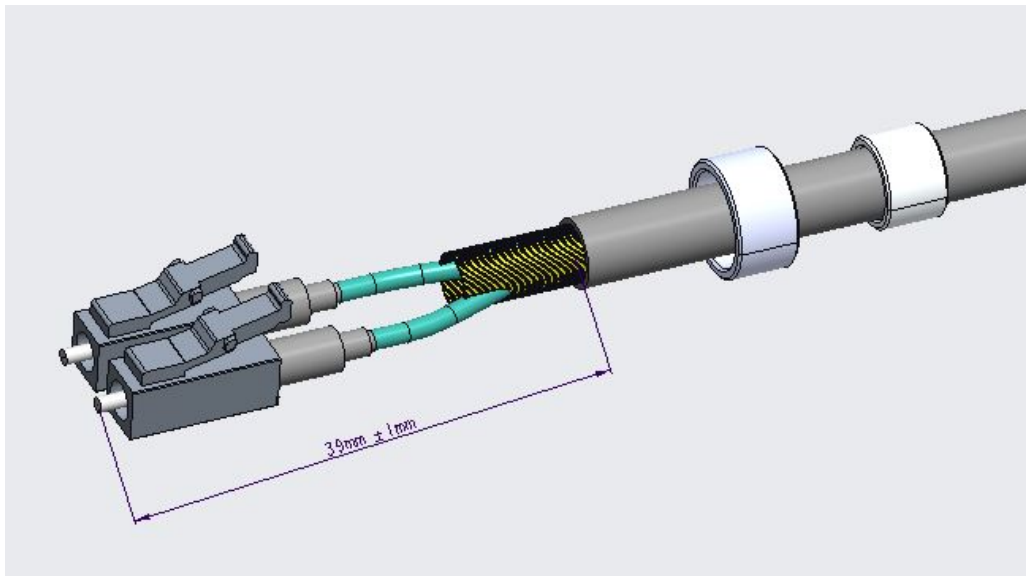
6000 Series Fibre Connector PXF6051 Assembly Instructions.

3. Strip cable and fit LC connectors (short form connectors no strain relief boot).

LC connectors to be fitted in line with manufactures instructions.

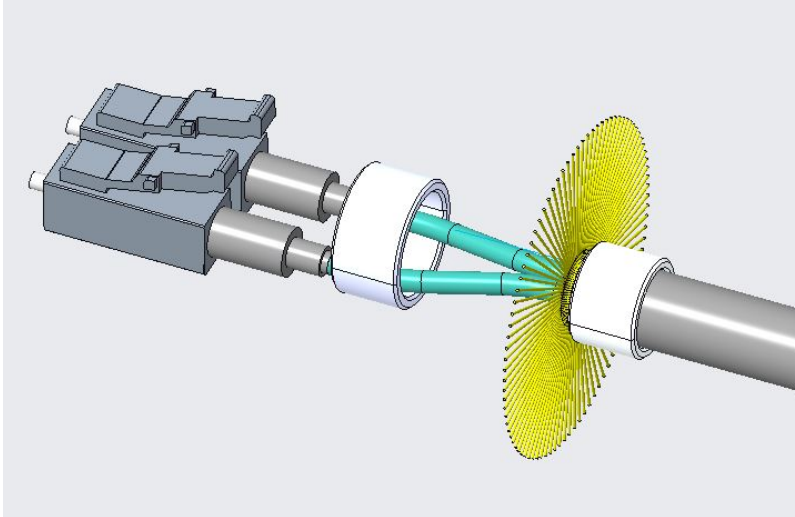
Length between cable outer jacket and ceramic tip of LC to be $39.0\text{mm} \pm 1.0\text{mm}$.

Leave aramid strength member long and trim later, this will aid crimping.

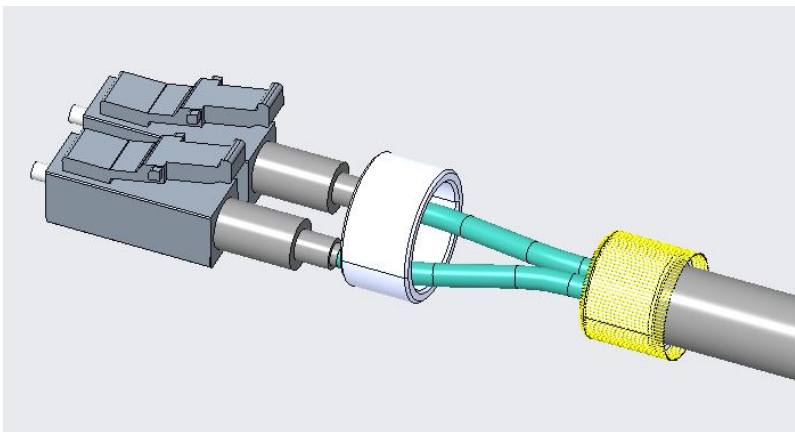


6000 Series Fibre Connector PXF6051 Assembly Instructions.

4. Slide crimp rings along cable until inner ring level with stripped end of outer jacket.

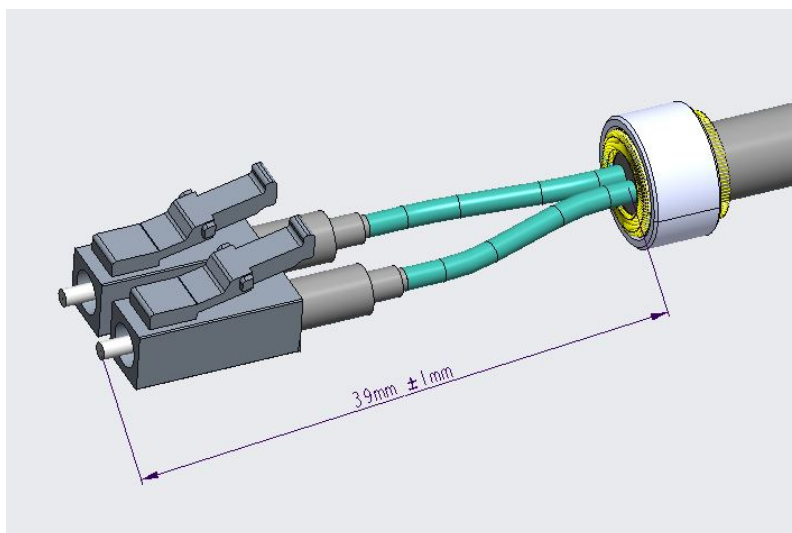


5. Slide outer crimp back over inner crimp and cable strength member ensuring aramid fibre is wrapped tightly around cable jacket and inner crimp.

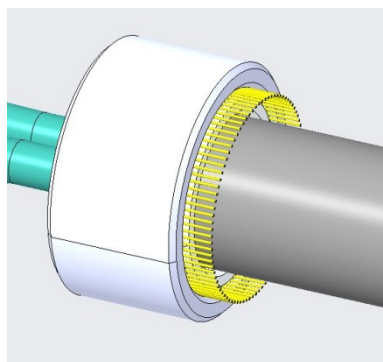


6000 Series Fibre Connector PXF6051 Assembly Instructions.

- Secure crimps in place using hexagonal crimp tool with an across flats dimension of 8.25mm.



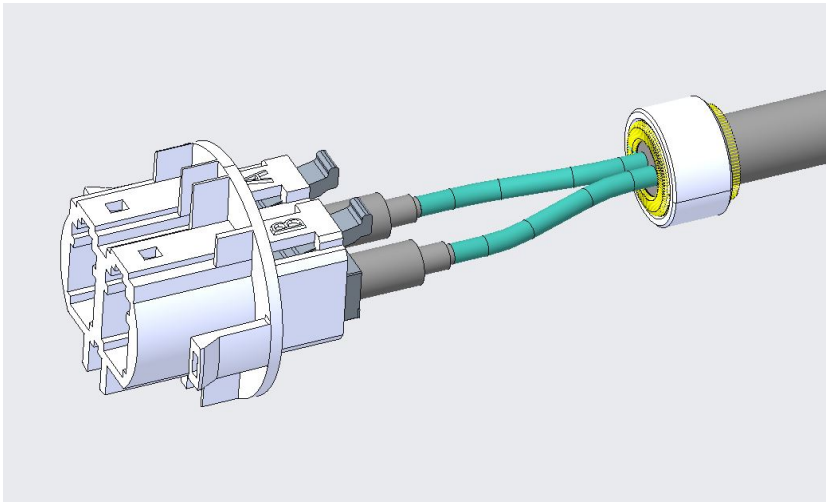
- Trim aramid fibre to within 5mm of crimp rings.



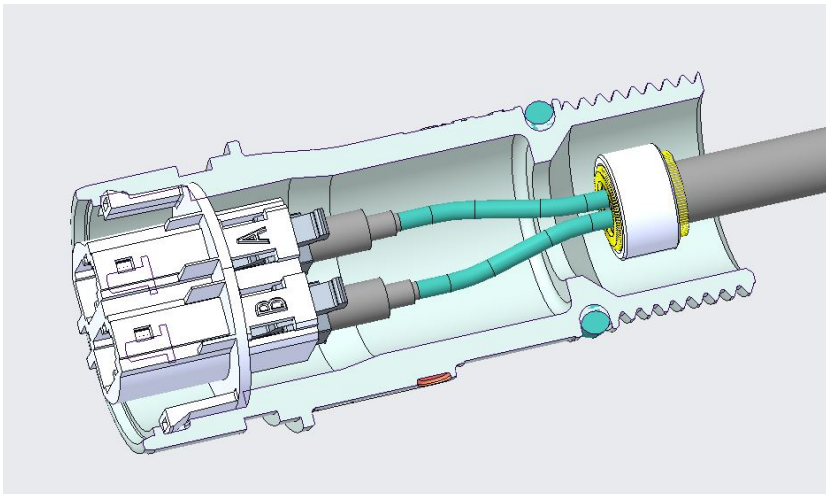
6000 Series Fibre Connector PXF6051 Assembly Instructions.

8. Clip LC's into duplex retainer.

Note! LC's are to be fitted into retainer together to avoid damage to fibre if fitted one at a time.



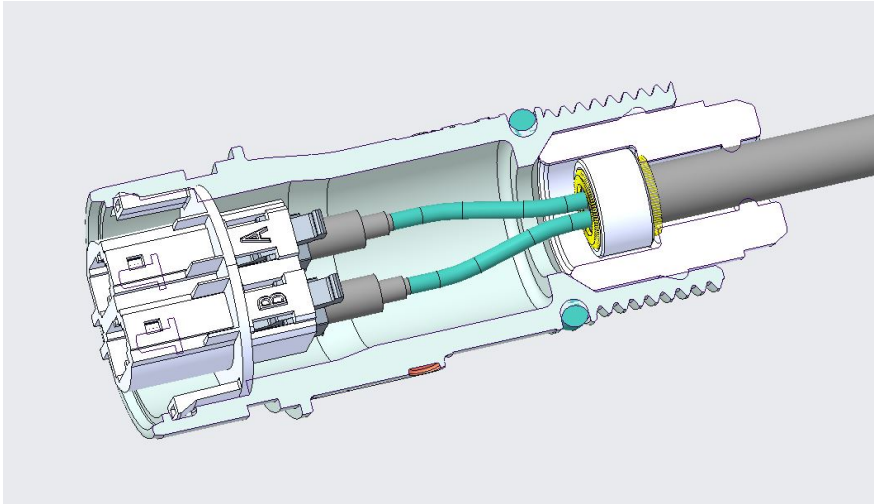
9. Assemble duplex retainer into body.



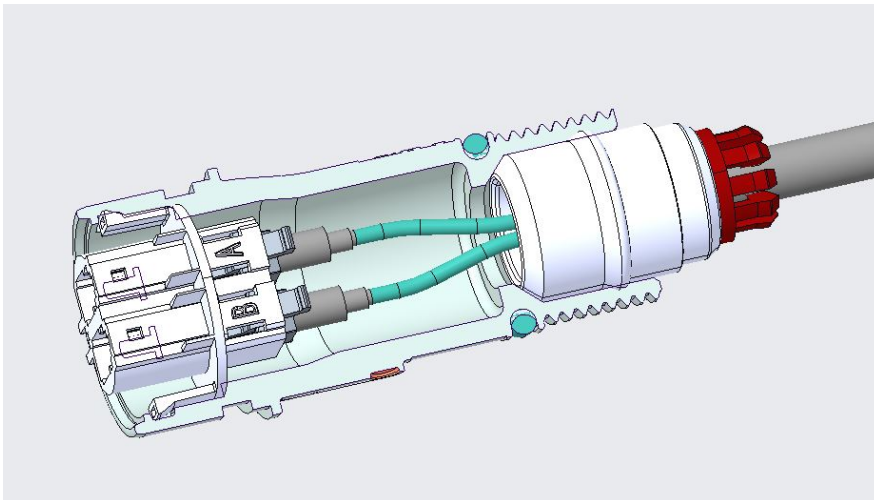
6000 Series Fibre Connector PXF6051 Assembly Instructions.

10. Slide Back Seal along cable over crimp and into body.

NOTE! For two part seal see appendix A.

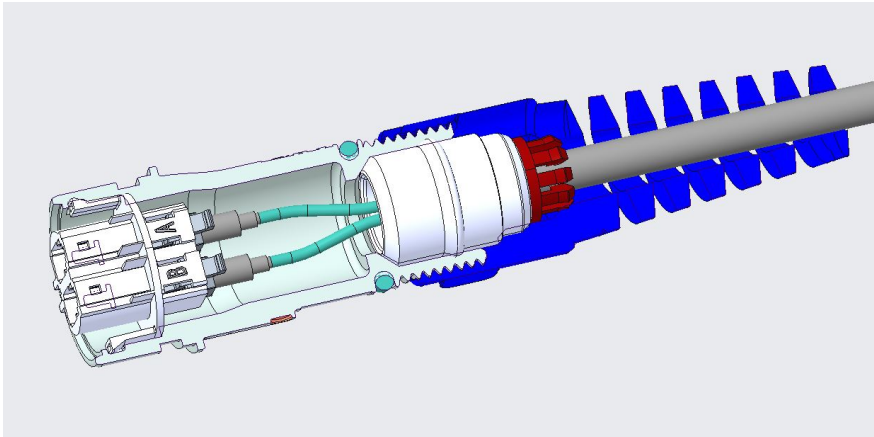


11. Slide Cage along cable up to rear of seal.

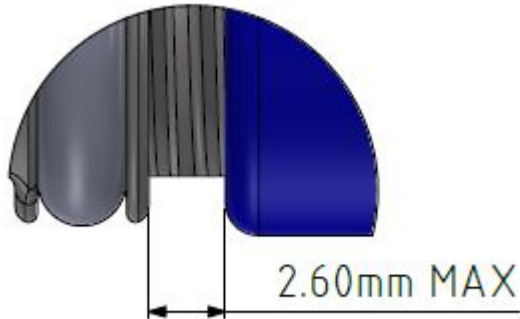


6000 Series Fibre Connector PXF6051 Assembly Instructions.

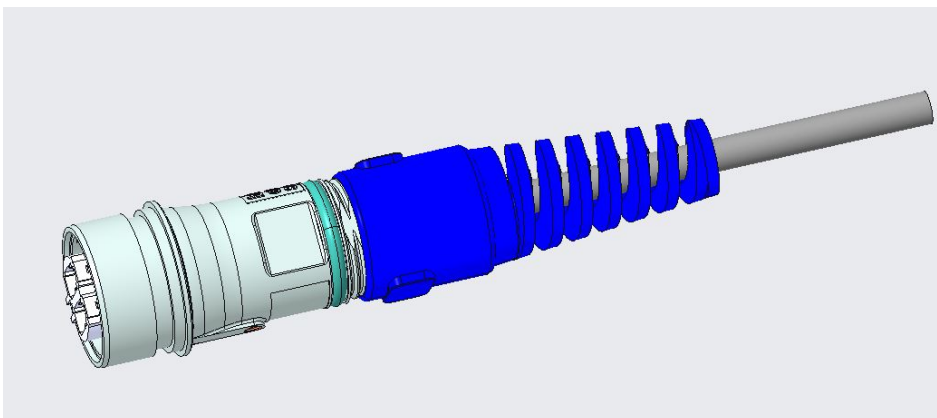
12. Fit Fibre Nut. Ensuring cable and body do not rotate when tightening nut. Screw nut home until reaches the dead stop. Then tighten to a torque of 1.1Nm.



13. Distance between body and nut when complete.



14. Finished assembly.



6000 Series Fibre Connector PXF6051 Assembly Instructions.

Appendix A Two part seal.

Some models are fitted with a two part seal please see below.

