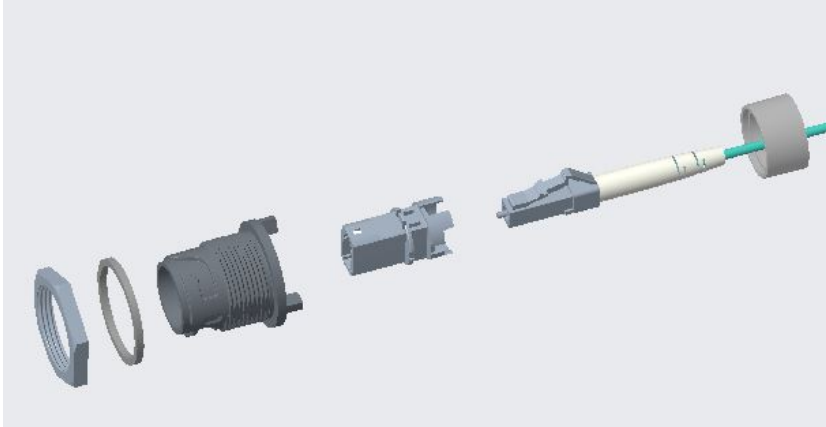
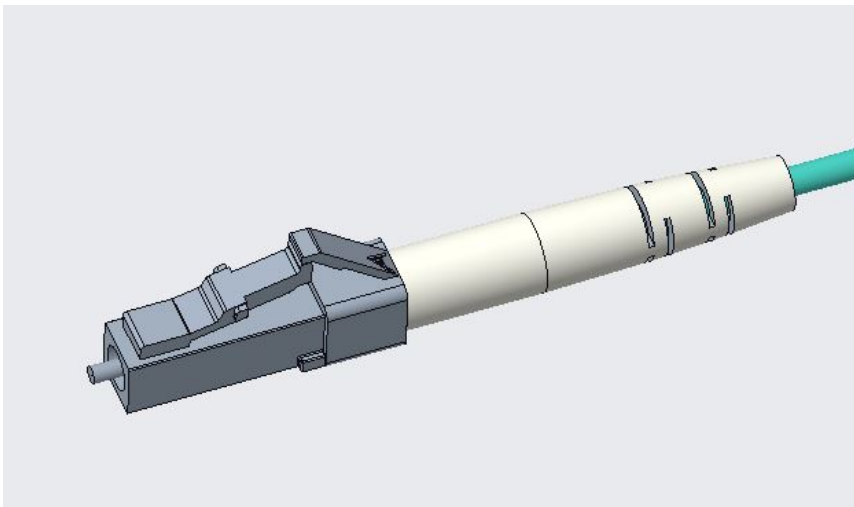


4000 Series Fiber Connector PXF4053 Assembly Instructions.

1. Exploded view of finished connector.



2. Assemble LC connectors to fiber in line with manufactures instructions.

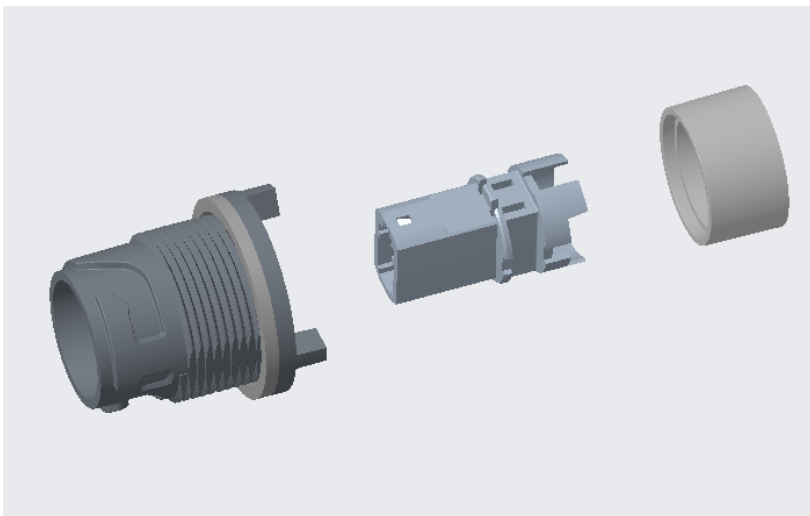


4000 Series Fiber Connector PXF4053 Assembly Instructions.

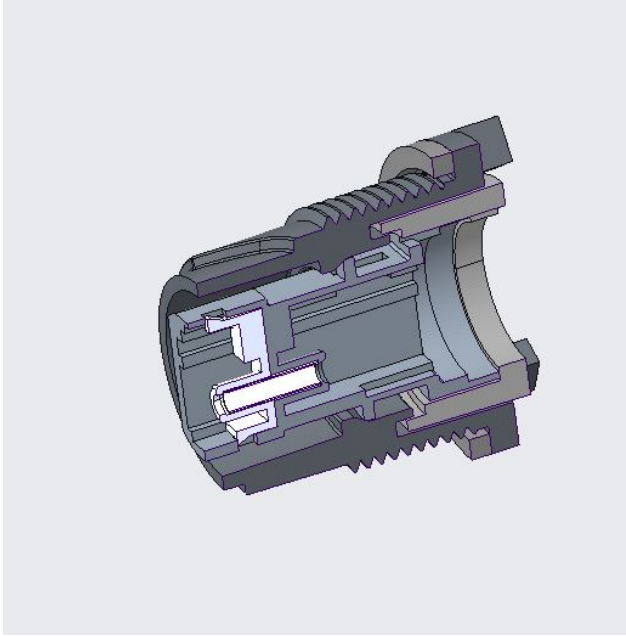
3. Fit seal washer to housing.



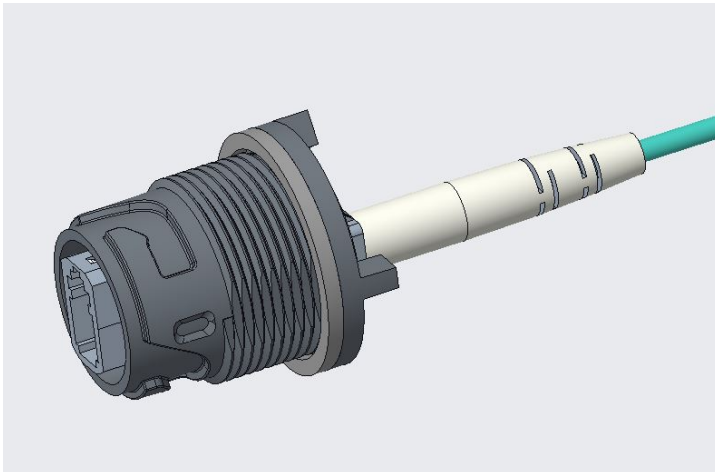
4. Fit carrier into body and secure with Retaining Ring securing this in place with Loctite 480.



4000 Series Fiber Connector PXF4053 Assembly Instructions.

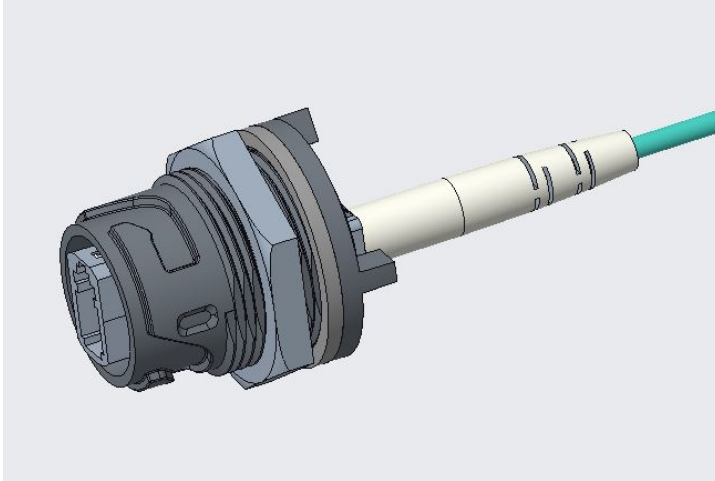


5. Fit LC connectors into retainer.



4000 Series Fiber Connector PXF4053 Assembly Instructions.

8. Secure connector to panel with nut.



Section through finished assembly, showing position of components.

