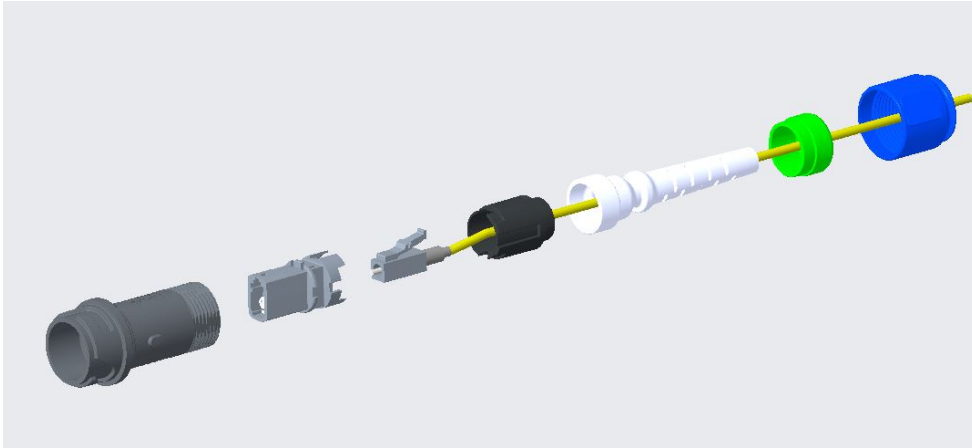
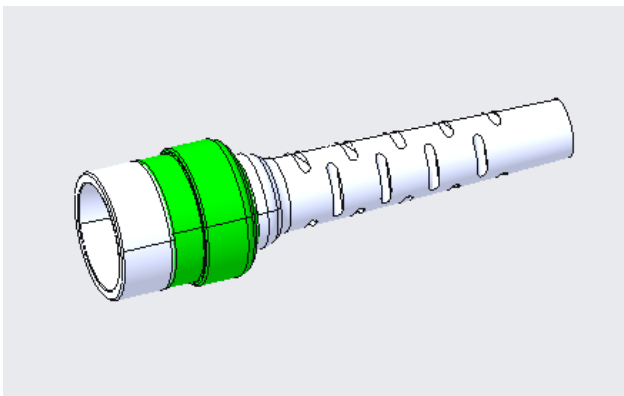
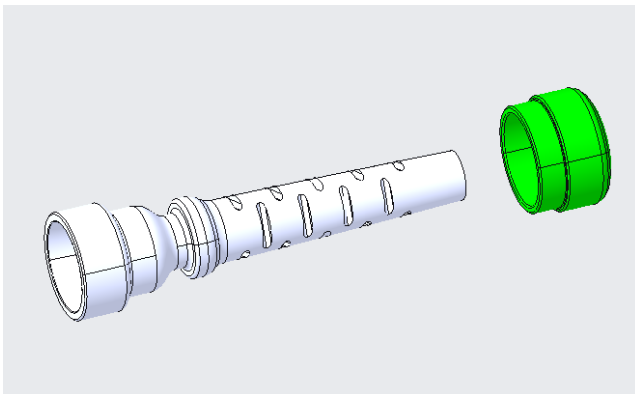


## 4000 Series Fiber Connector PXF4051 Assembly Instructions.

1. Exploded view of connector.

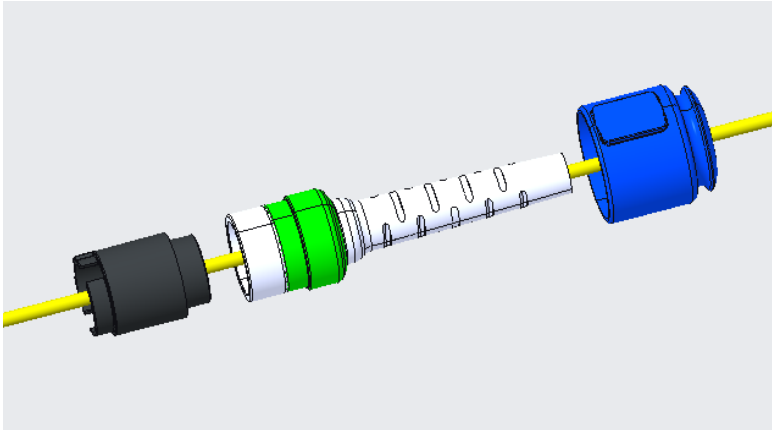


2. Assemble Sealing Ring to Gland.



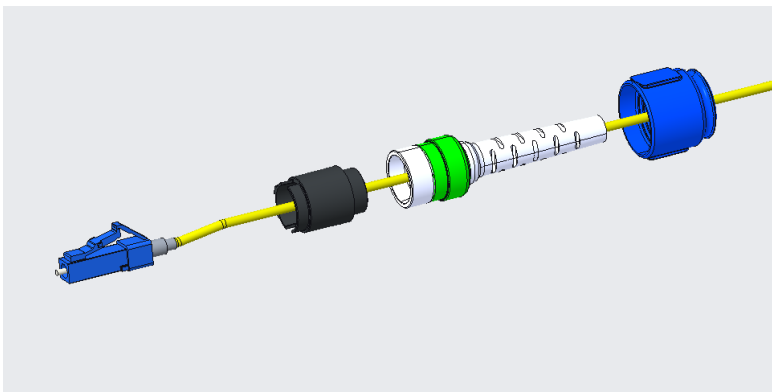
### 4000 Series Fiber Connector PXF4051 Assembly Instructions.

3. Before terminating LC connectors assemble Cable Nut, Sealing Gland and Sleeve on to cable onto cable in order and orientation shown.



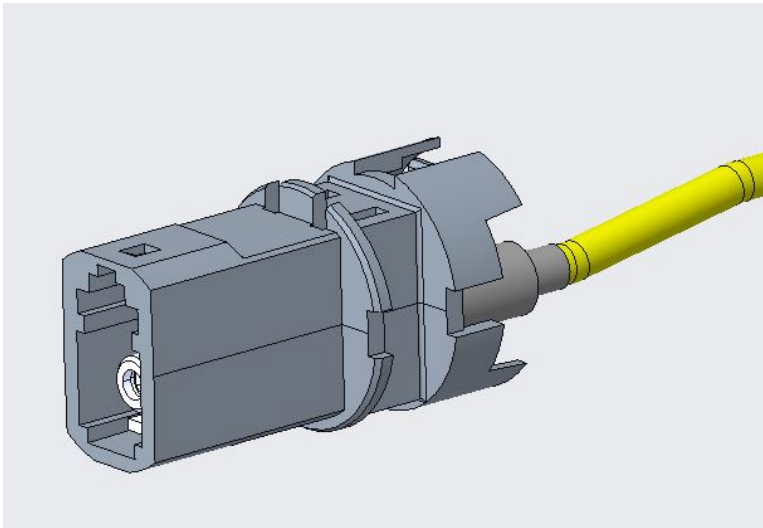
4. Strip cable and fit LC connector (LC connector to have no strain relief boot).

LC connector to be fitted in line with manufactures instructions.

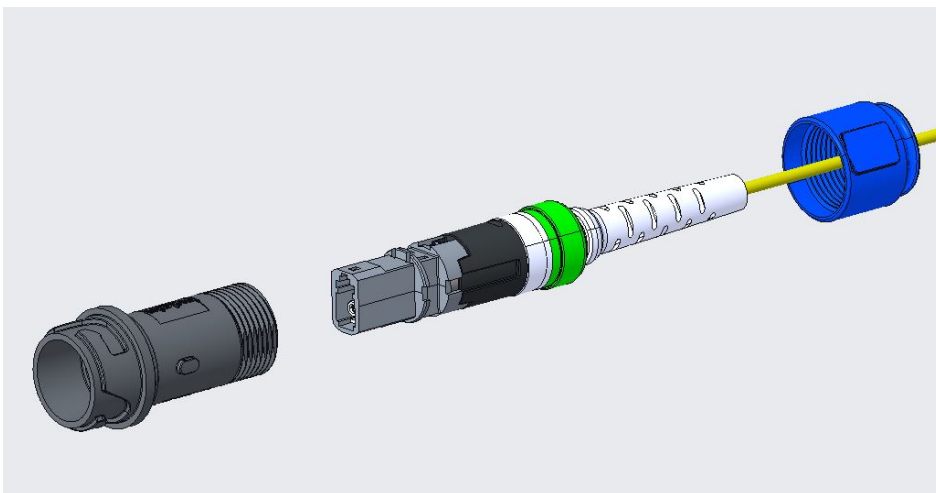


## 4000 Series Fiber Connector PXF4051 Assembly Instructions.

5. Clip LC into Flex Retainer as shown below.

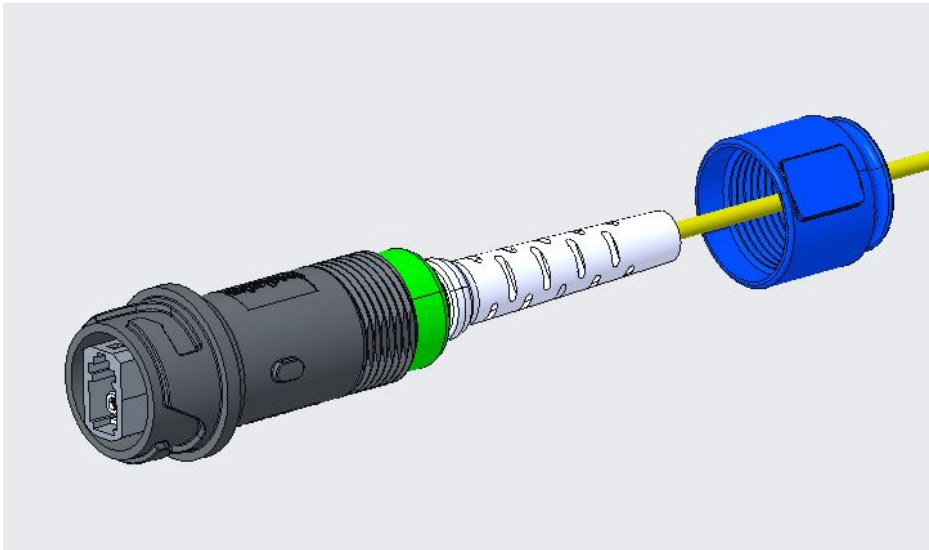


6. Slide Sleeve and Gland assembly along cable and link together behind Flex Retainer as shown below.

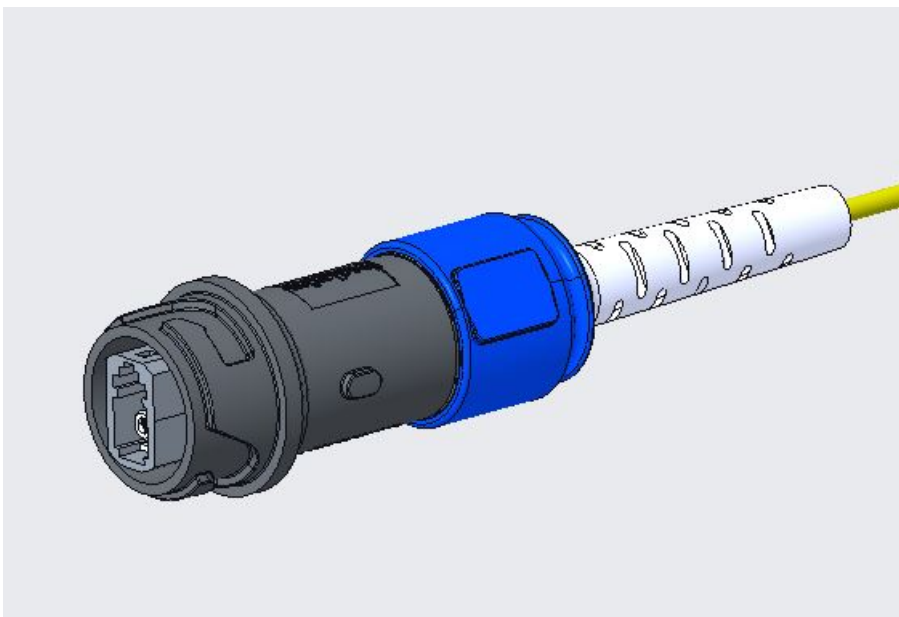


## 4000 Series Fiber Connector PXF4051 Assembly Instructions.

7. Fit Cable Nut and tighten to a torque of 0.5Nm Ensuring cable and body do not rotate when tightening nut.



8. Finished assembly.



## 4000 Series Fiber Connector PXF4051 Assembly Instructions.

Section through finished assembly, showing position of components.

