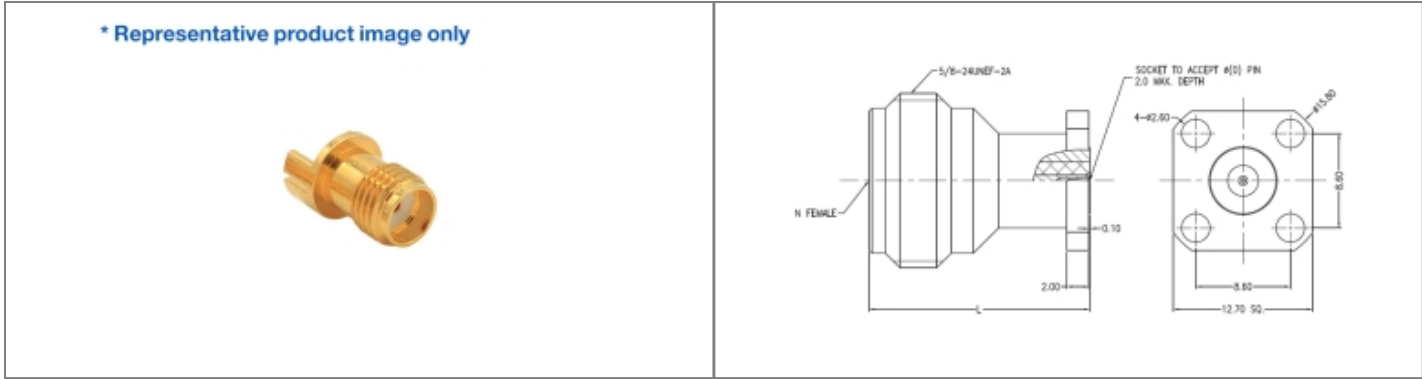


**Product Name // SMA Jack Edge Launch RF Connector, PCB Thickness**

[View Product Page](#)



**// Product Description:**

<ul style="list-style-type: none"> <li>⊗ SMA Jack Edge Launch RF Connector, PCB Thickness</li> <li>⊗ Maximum Voltage: 335V</li> <li>⊗ Temperature range: -55°C to +155°C</li> <li>⊗ Frequency range: 0GHz - 26.5GHz</li> <li>⊗ VSWR:</li> </ul>	<ul style="list-style-type: none"> <li>⊗ Dielectric withstanding Voltage: &gt;750V</li> <li>⊗ Impedance: 50Ohm</li> <li>⊗ Body Material: Brass Copper with gold 10u" plating</li> <li>⊗ Contact Material: Beryllium Copper</li> </ul>
---	---

**// General Information:**

Product Display Title:	SMA Series Edge Launch Connector
Product Family:	Radio Frequency Connectors
Product Series:	SMA Series
Body Length:	11.70mm
Body Material:	Brass Copper with gold 10u" plating
Centre Contact Retention Force:	>20N
Contact Pin Material:	Beryllium Copper
Min Coupling Torque:	0.80Nm
Max Coupling Torque:	1.10Nm
Dielectric Withstanding Voltage:	>750V
Durability:	>500 cycles
Function:	Female Edge Launch RF Connector
Impedance:	50Ohm
Insulation Resistance:	>5000MOhm
Insulator:	ULTEM 1000
Max Operating Temperature:	+155°C
Min Operating Temperature:	-55°C
Min Operating Frequency:	0GHz
Max Operating Frequency:	26.5GHz
Pcb Thickness:	0.87mm
Pin Diameter:	0.30mm
Pin Length:	0.60mm
Thread Size:	1/4 36UNS 2A
Voltage Max:	335V
Vswr:	<1.30

**// Product PDF Links**

[SMA Series Product Datasheet](#)

**// Product 3D CAD Model Links**

[RFSMACJAAB3D CAD Model](#)