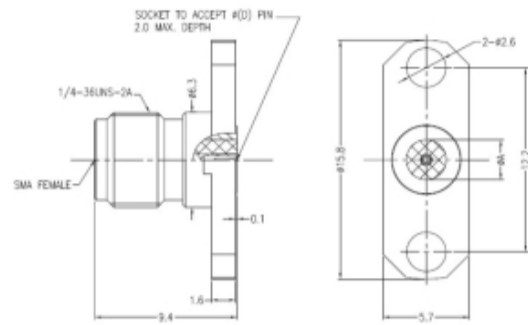


**Product Name // SMA Straight Plug 2 Hole Flange RF Connector**
[View Product Page](#)

\* Representative product image only


**// Product Description:**

- ⊗ SMA Straight Plug 2 Hole Flange RF Connector
- ⊗ Maximum Voltage: 335V
- ⊗ Temperature range: -65°C to +165°C
- ⊗ Frequency range: 0GHz - 26.5GHz
- ⊗ VSWR:
- ⊗ Dielectric withstanding Voltage: >750V
- ⊗ Impedance: 50Ohm
- ⊗ Body Material: Stainless Steel Passivation
- ⊗ Contact Material: Beryllium Copper

**// General Information:**

Product Display Title:	SMA Series Socket 2 Hole Flange
Product Family:	Radio Frequency Connectors
Product Series:	SMA Series
Body Length:	12.80mm
Body Material:	Stainless Steel Passivation
Centre Contact Retention Force:	>26.7N
Contact Pin Material:	Beryllium Copper
Min Coupling Torque:	0.80Nm
Max Coupling Torque:	1.10Nm
Coupling Nut Retention Force:	>27.2Kg
Dielectric Withstanding Voltage:	>750V
Durability:	>500 cycles
Flange Mount Length:	12.70mm
Function:	Male Flange Mount RF Connector
Impedance:	50Ohm
Insulation Resistance:	>5000MOhm
Insulator:	Adapter ASTM D 1710
Max Operating Temperature:	+165°C
Min Operating Temperature:	-65°C
Mount Hole Distance:	8.90mm
Min Operating Frequency:	0GHz
Max Operating Frequency:	26.5GHz
Socket Diameter:	0.30mm
Socket Outer Diameter:	1.94mm
Voltage Max:	335V
Vswr:	<1.30

**// Product PDF Links**
[SMA Series Product Datasheet](#)
**// Product 3D CAD Model Links**
[RFSMAA2PCEB3D CAD Model](#)

 Have a question or project enquiry  
 you'd like to talk to us about?

[Click Here To Contact Us](#)