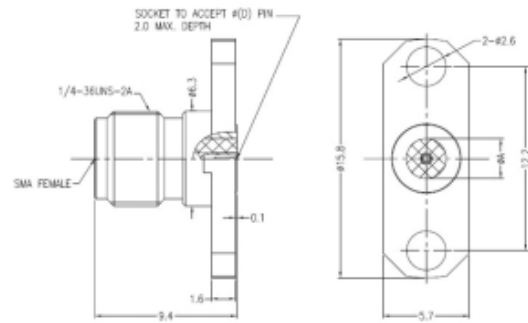


**Product Name // SMA Straight Jack 2 Hole Flange RF Connector**
[View Product Page](#)

\* Representative product image only


**// Product Description:**

- |   |   |
|---|---|
| <ul style="list-style-type: none"> <li>⊕ SMA Straight Jack 2 Hole Flange RF Connector</li> <li>⊕ Maximum Voltage: 335V</li> <li>⊕ Temperature range: -65°C to +165°C</li> <li>⊕ Frequency range: 0GHz - 26.5GHz</li> <li>⊕ VSWR:</li> </ul> | <ul style="list-style-type: none"> <li>⊕ Dielectric withstanding Voltage: &gt;750V</li> <li>⊕ Impedance: 50Ohm</li> <li>⊕ Body Material: Stainless Steel Passivation</li> <li>⊕ Contact Material: Beryllium Copper</li> </ul> |
|---|---|

**// General Information:**

Product Display Title:	SMA Series Socket 2 Hole Flange
Product Family:	Radio Frequency Connectors
Product Series:	SMA Series
Body Length:	9.40mm
Body Material:	Stainless Steel Passivation
Centre Contact Retention Force:	>26.7N
Contact Pin Material:	Beryllium Copper
Min Coupling Torque:	0.80Nm
Max Coupling Torque:	1.10Nm
Coupling Nut Retention Force:	>27.2Kg
Dielectric Withstanding Voltage:	>750V
Durability:	>500 cycles
Flange Mount Length:	15.80mm
Function:	Female Flange Mount RF Connector
Impedance:	50Ohm
Insulation Resistance:	>5000MOhm
Insulator:	Adapter ASTM D 1710
Max Operating Temperature:	+165°C
Min Operating Temperature:	-65°C
Mount Hole Distance:	12.20mm
Min Operating Frequency:	0GHz
Max Operating Frequency:	26.5GHz
Socket Diameter:	0.30mm
Socket Outer Diameter:	1.94mm
Thread Size:	1/4 36UNS 2A
Voltage Max:	335V
Vswr:	<1.30

**// Product PDF Links**
[SMA Series Product Datasheet](#)
**// Product 3D CAD Model Links**
[RFSMAA2JEGB3D CAD Model](#)