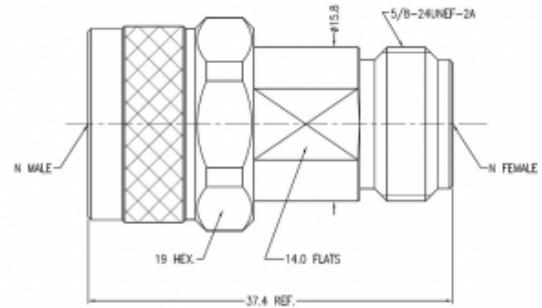


RFAANPNJ Datasheet

Product Name // N Plug to N Jack RF Adapter

[View Product Page](#)


// Product Description:

- ⊞ N Plug to N Jack RF Adapter
- ⊞ Maximum Voltage: 500V
- ⊞ Temperature range: -40°C to +85°C
- ⊞ Frequency range: 0GHz - 18GHz
- ⊞ VSWR:
- ⊞ Dielectric withstanding Voltage: >1500V
- ⊞ Impedance: 50Ohm
- ⊞ Body Material: Stainless Steel Passivation
- ⊞ Contact Material: Beryllium Copper

// General Information:

Product Display Title:	RF Adapter Series N Type Straight
Product Family:	Radio Frequency Connectors
Product Series:	RF Adapter Series
Body Length:	37.40mm
Body Material:	Stainless Steel Passivation
Centre Contact Retention Force:	>26.7N
Contact Pin Material:	Beryllium Copper
Dielectric Withstanding Voltage:	>1500V
Durability:	>500 cycles
Function:	Male to Female RF Adapter
Impedance:	50Ohm
Insulation Resistance:	>5000MOhm
Insulator:	UNFILLED ULTEM 1000/PEI
Max Operating Temperature:	+85°C
Min Operating Temperature:	-40°C
Min Operating Frequency:	0GHz
Max Operating Frequency:	18GHz
Thread Size:	5/8 24UNEF 2A
Voltage Max:	500V
Vswr:	<1.15

// Product PDF Links

[RF Adapter Series Product...](#)

// Product 3D CAD Model Links

[RFAANPNJ3D CAD Model](#)