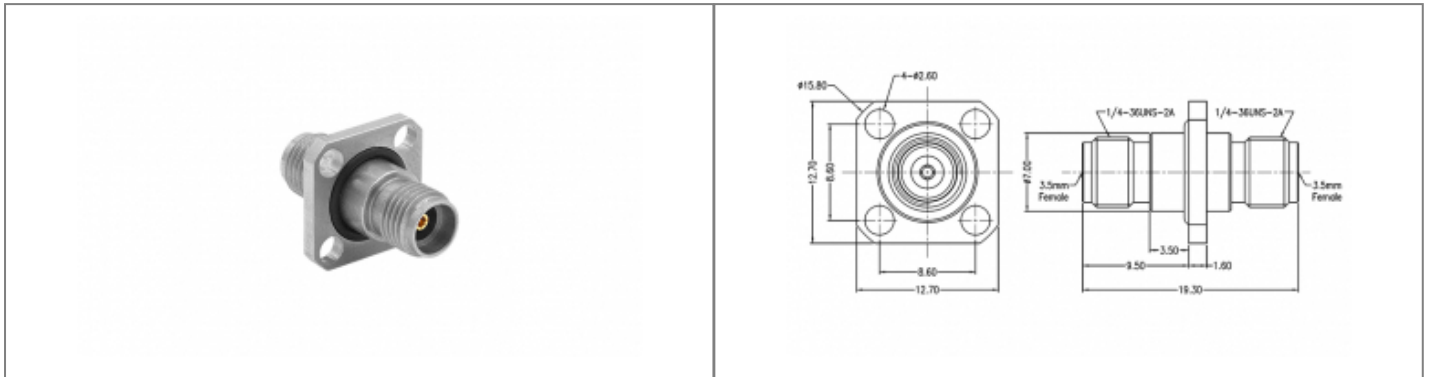


RFAA4350J350J Datasheet

Product Name // 3.5mm Jack to 3.5mm Jack RF Adapter, 4 Hole Flange

[View Product Page](#)


// Product Description:

- ⊗ 3.5mm Jack to 3.5mm Jack RF Adapter, 4 Hole Flange
- ⊗ Maximum Voltage: 335V
- ⊗ Temperature range: -40°C to +85°C
- ⊗ Frequency range: 0GHz - 33GHz
- ⊗ VSWR:
- ⊗ Dielectric withstanding Voltage: >750V
- ⊗ Impedance: 50Ohm
- ⊗ Body Material: Stainless Steel Passivation
- ⊗ Contact Material: Beryllium Copper

// General Information:

Product Display Title:	RF Adapter Series Flange Mount
Product Family:	Radio Frequency Connectors
Product Series:	RF Adapter Series
Body Length:	19.30mm
Body Material:	Stainless Steel Passivation
Centre Contact Retention Force:	>20N
Contact Pin Material:	Beryllium Copper
Dielectric Withstanding Voltage:	>750V
Durability:	>500 cycles
Flange Mount Length:	12.70mm
Function:	Female to Female RF Flange Mount Adapter
Impedance:	50Ohm
Insulation Resistance:	>5000MOhm
Insulator:	ULTEM 1000/PEI
Max Operating Temperature:	+85°C
Min Operating Temperature:	-40°C
Mount Hole Distance:	8.60mm
Min Operating Frequency:	0GHz
Max Operating Frequency:	33GHz
Thread Size:	1/4 36UNS 2A
Voltage Max:	335V
Vswr:	<1.20

// Product PDF Links

[RF Adapter Series Product...](#)

// Product 3D CAD Model Links

[RFAA4350J350J3D CAD Model](#)