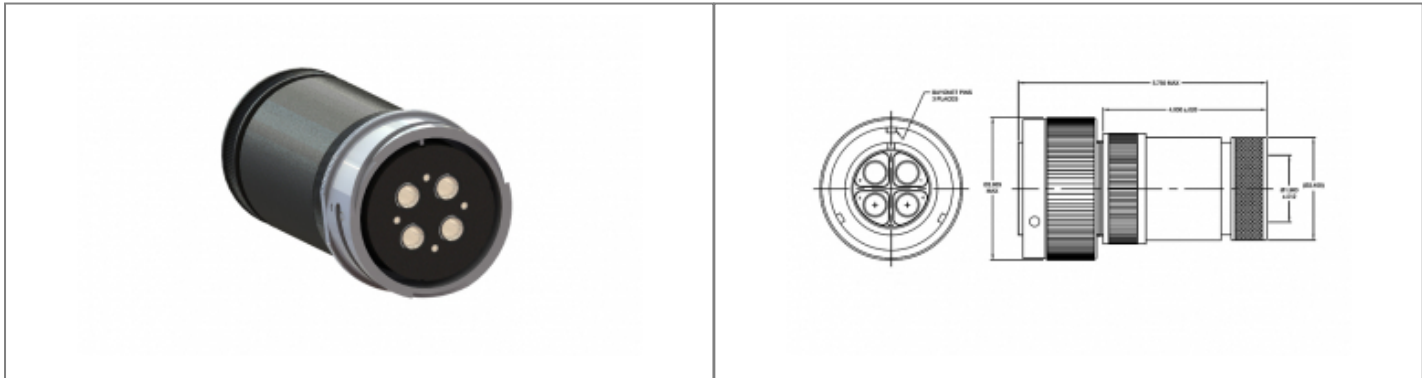


PXP9011/08/S/1 Datasheet

Product Name // PXP9011/08/S/1

[View Product Page](#)



// Product Description:

- ⬡ Male and Female Connectors
- ⬡ Water and dustproof to IP68 when mated with compatible connector
- ⬡ 2, 4, 6, 8, 11 Contact options
- ⬡ Bayonet Quarter Turn Lock
- ⬡ High Amperage 13A, 80A, High Voltage 1250VAC

// General Information:

| | |
|---------------------------------|----------------------------------|
| Product Display Title: | 9000 Series Buccaneer Connectors |
| Product Family: | Circular Power Connectors |
| Product Series: | 9000 Series High Power Buccaneer |
| Body Material: | Delrin |
| Body Material Type: | Plastic Body |
| Contact Type: | Socket Contact |
| Current Max: | 80A |
| Diameter Over Coupling Ring Mm: | 72mm |
| Function: | Inline Cable Connector |
| Ip Rating: | IP68 |
| Max Operating Temperature: | +125°C |
| Min Operating Temperature: | -55°C |
| Number Of Contacts: | 8 Contacts |
| Voltage Max: | 1250V |

// Product PDF Links

[9000 Series Buccaneer Datasheet](#)

// Product 3D CAD Model Links

[PXP9011/08/S/13D CAD Model](#)