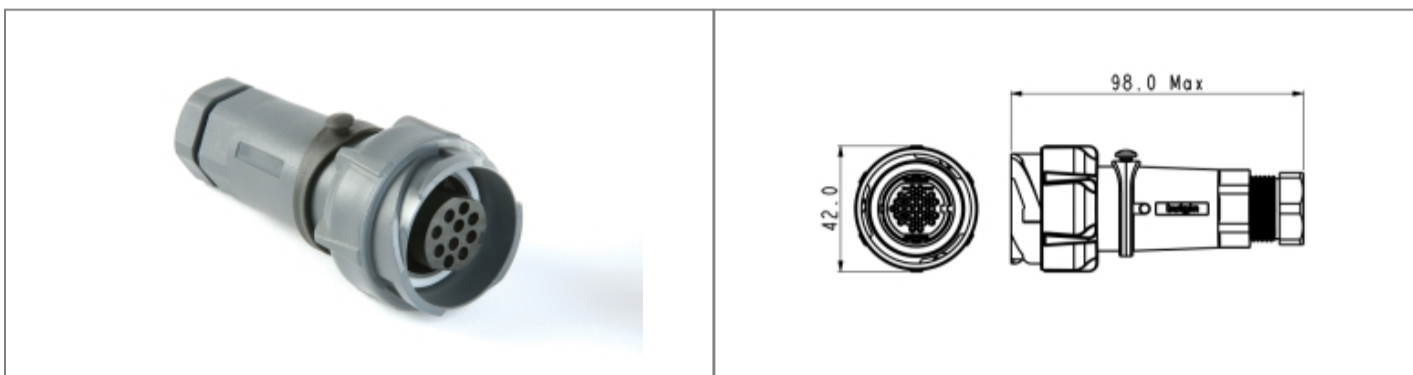


**Product Name // Inline Cable Connector PXP7011 Series 3**  
**Contact Plug Screw Termination (contacts supplied fitted)**  
**11mm-13mm Cable (Yellow Gland) Plastic Body**

[View Product Page](#)


### // Product Description:

- ⊗ Inline Cable Connectors
- ⊗ Water and dustproof to IP66, IP68, IP69K when mated with compatible connector
- ⊗ Quick turn locking ring with less than quarter turn locking and positive feedback
- ⊗ Plug or Socket
- ⊗ 2, 3, 6, 10, 32 Contact with leading Earth contact on 3 Contact versions
- ⊗ Screw, Crimp/Solder terminations available, depending on part code; Screw contacts supplied fitted, Crimp/Solder contacts and fitting tools available separately
- ⊗ Choice of body material depending on part code:
- ⊗ Plastic body (part codes prefixed PXP)
- ⊗ Metal body (part codes prefixed PXM). Cable Braid Termination option supplied with part codes suffixed /SN or available separately (part code PXM7090)
- ⊗ Choice of cable acceptance 5mm-15mm diameter depending on part code (see data for details)
- ⊗ PXP7088 Series Gland Packs available separately to accommodate all sizes
- ⊗ PXP7082/PXM7082 Sealing Cap available separately to maintain IP rating of unmated connectors
- ⊗ Mate with PXP7010/PXM7010 Series Flex Connectors

### // General Information:

Product Display Title:	Inline Cable Connectors
Product Family:	Circular Power Connectors
Product Series:	7000 Series Buccaneer
Approvals:	UL
Body Material:	Polycarbonate/Polybutylene Terephthalate (PC/PBT)
Body Material Type:	Plastic Body
Contact Type:	Plug Contact
Coupling Type:	Bayonet Lock
Current Max:	25A
Diameter Over Coupling Ring Mm:	42mm
Flamability Rating:	UL94V-0
Function:	Inline Cable Connector
Ip Rating:	IP66
Max Cable Entry Size:	13mm
Min Cable Entry Size:	11mm
Max Contact Accomodation Awg:	10AWG
Min Contact Accomodation Awg:	10AWG
Max Contact Accomodation Mm2:	6mm <sup>2</sup>
Min Contact Accomodation Mm2:	6mm <sup>2</sup>
Max Operating Temperature:	+120°C
Min Operating Temperature:	-40°C
Number Of Contacts:	3 Contacts
Voltage Max:	600V

#### // Product PDF Links

[7000 Series power connectors...](#)
[7000 Series plastic body power...](#)

#### // Product 3D CAD Model Links

[PXP7011/03P/ST/11133D CAD Model](#)


Have a question or project enquiry  
you'd like to talk to us about?



[Click Here To Contact Us](#)