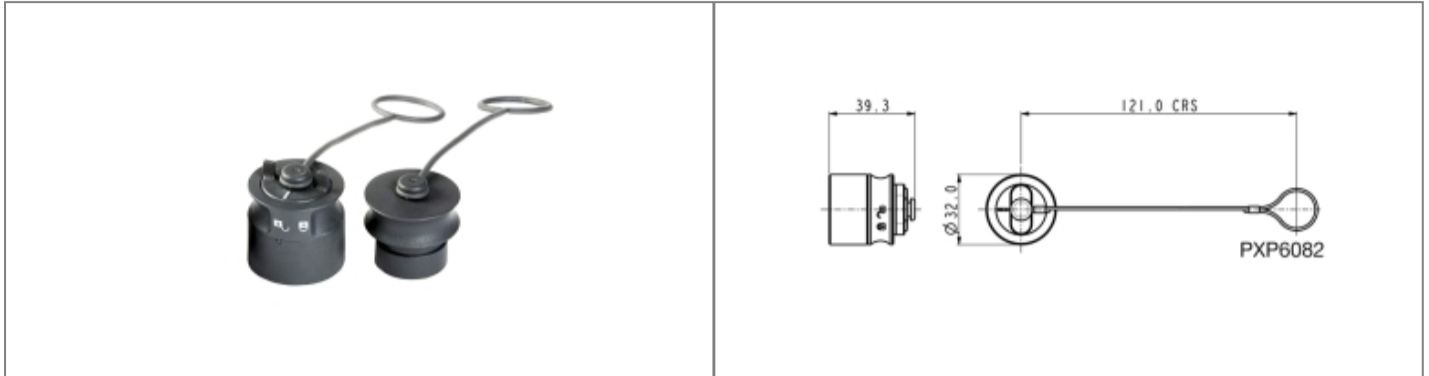


## Product Name // Plastic Sealing Cap For 6000 Series Inline Connectors

[View Product Page](#)


### // Product Description:

- ⬢ Sealing Caps for 6000 Series Power and Data Connectors
- ⬢ Use to maintain IP rating of unmated connectors
- ⬢ PXP6081 fits PXP6010 Power Connectors; PXP6040, PXP6041 Flex USB Connectors; PXP6034, PXP6037, PXP6038 Flex/Patch Cord Ethernet Connectors (push fit)
- ⬢ PXP6082 fits PXP6011 Power Connectors (30 degree push twist lock)
- ⬢ PXP6083 fits PXP6012 Power Connectors; PXP6042, PXP6043 Front Panel Mount USB Connectors; PXP6033 CAT5e Coupler Ethernet Connector (30 degree push twist lock)
- ⬢ PXM6081 fits PXM6010 Series Flex Power Connector, PXM6034 Rewireable Flex Ethernet Connectors (push fit)
- ⬢ PXM6082 fits PXM6011 Series Inline Power Connector (30 degree push twist lock)
- ⬢ PXM6083 fits PXM6012 Series Front Panel Mount Power Connector, PXM6033TP Front Panel Mount CAT5e Ethernet Coupler (30 degree push twist lock)

### // General Information:

Product Display Title:	Sealing Caps for 6000 Series Power and Data Connectors
Product Family:	Circular Power Connectors
Product Series:	6000 Series Buccaneer
Body Material:	Polycarbonate/Polybutylene Terephthalate (PC/PBT)
Body Material Type:	Plastic Body
Coupling Type:	Push-Twist
Diameter Over Coupling Ring Mm:	32mm
Flamability Rating:	UL94V-0
Function:	Accessory
Ip Rating:	IP66, IP68, IP69K
Max Operating Temperature:	+120°C
Min Operating Temperature:	-40°C

### // Product PDF Links

- [6000 Series power connectors...](#)
- [6000 Series Ethernet connectors...](#)
- [6000 Series USB connectors product...](#)

### // Product 3D CAD Model Links

- [PXP60823D CAD Model](#)