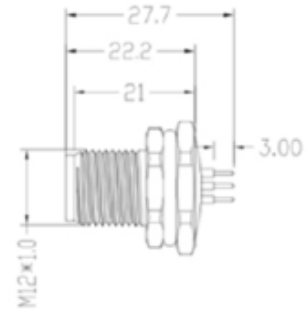
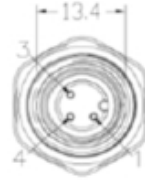


**Product Name // PXMBNI12RPM04TFLM16001**
[View Product Page](#)

**// Product Description:**

- ⊞ Material=Metal
- ⊞ Pins=4
- ⊞ Max Rating=60Vac
- ⊞ Ingress Protection=IP67
- ⊞ Operating Temperature= -25°C to +85°C
- ⊞ Contact Resistance=5?
- ⊞ Insulation Resistance=>100M?
- ⊞ Mechanical Cycles=100 (min)

**// General Information:**

Product Display Title:	M12 Front and Rear Panel Mount Flying Lead
Product Family:	Circular Automation Connectors
Product Series:	M12 Series
Body Material:	Brass - Nickel Plated
Contact Type:	Plug Contact
Number Of Contacts:	4 Contacts

**// Product PDF Links**
[M12 Series automation connectors...](#)
**// Product 3D CAD Model Links**
[PXMBNI12RPM04TFLM160013D CAD Model](#)