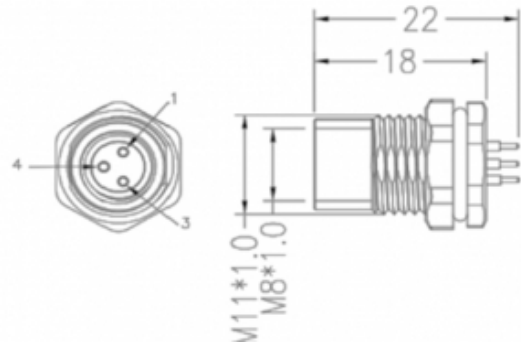


# PXMBNI08RPM08AFLM8002 Datasheet

Product Name // PXMBNI08RPM08AFLM8002

[View Product Page](#)



## // Product Description:

- ⊞ Material=Metal
- ⊞ Pins=4
- ⊞ Max Rating=30Vac
- ⊞ Ingress Protection=IP67
- ⊞ Operating Temperature= -25°C to +85°C
- ⊞ Contact Resistance=5?
- ⊞ Insulation Resistance=>100M?
- ⊞ Mechanical Cycles=100 (min)

## // General Information:

Product Display Title:	M8 Series Rear Panel Mount Connectors
Product Family:	Circular Automation Connectors
Product Series:	M8 Series
Body Material:	Brass - Nickel Plated
Contact Type:	Plug Contact
Number Of Contacts:	8 Contacts

### // Product PDF Links

[M8 Series automation connectors...](#)

### // Product 3D CAD Model Links

[PXMBNI08RPM08AFLM80023D CAD Model](#)