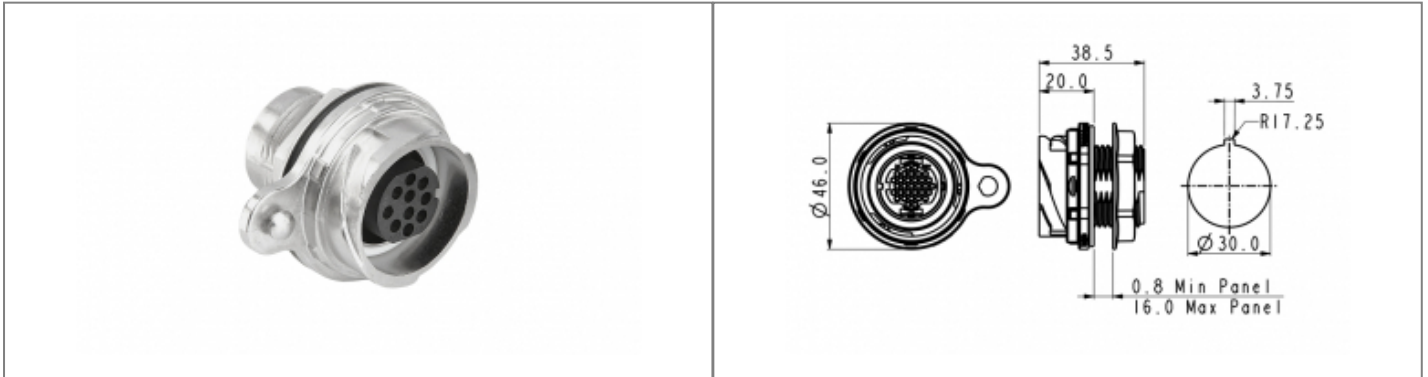


# PXM7012/02P/ST Datasheet

**Product Name // Front Panel Mount Connector PXM7012**  
**Series 2 Contact Plug Screw Termination (contacts supplied fitted) Metal Body**

[View Product Page](#)



## // Product Description:

- ⊕ Front Panel Mount Connectors
- ⊕ Water and dustproof to IP66, IP68, IP69K when mated with compatible connector
- ⊕ Quick turn locking ring with less than quarter turn locking and positive feedback
- ⊕ Plug or Socket
- ⊕ 2, 3, 6, 10, 32 Contact with leading Earth contact on 3 Contact versions
- ⊕ Screw, Crimp/Solder terminations available, depending on part code; Screw contacts supplied fitted, Crimp/Solder contacts and fitting tools available separately
- ⊕ Choice of body material depending on part code:
- ⊕ Plastic body (part codes prefixed PXP). PXP7082 (plastic) and PXM7082 (metal) Sealing Caps available separately to maintain IP rating of unmated connectors
- ⊕ Metal body (part codes prefixed PXM). PXM7083 Sealing Cap available separately to maintain IP rating of unmated connectors
- ⊕ Mate with PXP7010/PXM7010 Series Flex Connectors

## // General Information:

Product Display Title:	Front Panel Mount Connectors
Product Family:	Circular Power Connectors
Product Series:	7000 Series Buccaneer
Approvals:	cUL, UL
Body Material:	Zinc Alloy - Nickel Plated
Body Material Type:	Metal Body
Contact Type:	Plug Contact
Coupling Type:	Bayonet Lock
Current Max:	25A
Diameter Over Coupling Ring Mm:	42mm
Flamability Rating:	UL94V-0
Function:	Front Panel Mount Connector
Ip Rating:	IP66, IP68, IP69K
Max Contact Accomodation Mm2:	6mm2
Min Contact Accomodation Mm2:	6mm2
Max Operating Temperature:	+120°C
Min Operating Temperature:	-40°C
Number Of Contacts:	2 Contacts
Voltage Max:	600V

### // Product PDF Links

[7000 Series power connectors...](#)

[7000 Series metal body power...](#)

### // Product 3D CAD Model Links

[PXM7012/02P/ST3D CAD Model](#)