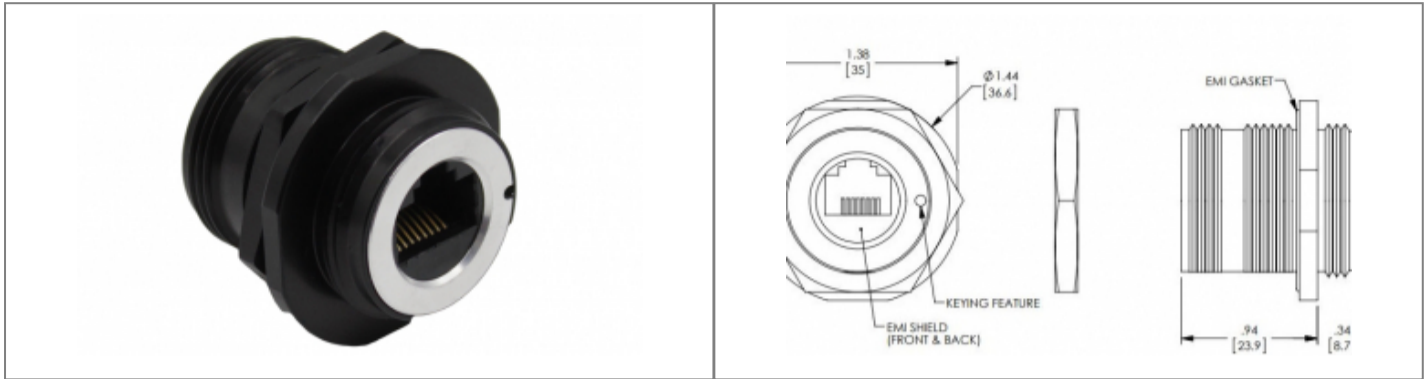


PXM06195FANBKUS Datasheet

Product Name // Black Anodised Aluminium Jam Nut Connector - Unshielded - Cat5e Female

[View Product Page](#)



// Product Description:	
<ul style="list-style-type: none"> Black Anodised Aluminium Jam Nut Connector - Unshielded - Cat5e Female IP68 rated when mated Crimp Terminals Durability >500 cycles 	<ul style="list-style-type: none"> Operating temperature -40°C to +100°C Supports 10, 100 and 1,000 Mbps data transmissions POE, POE+, and POE++ Hardware: Stainless Steel, Seals: Silicone

// General Information:	
Product Display Title:	Black Anodised Aluminium Jam Nut Connector - Unshielded - Cat5e Female
Product Family:	Circular Data Connectors
Product Series:	600 Series - Ethernet Buccaneer Connectors
Body Colour:	Black
Body Length:	32.6mm
Body Material:	Aluminium
Body Material Type:	Metal Body
Connection Method:	Latching
Contact Type:	Female
Coupling Type:	Screw
Diameter Over Coupling Ring Mm:	35mm
Durability:	>500 cycles
Ethernet Category:	Cat 5e
Function:	Jam Nut Connector
Ip Rating:	IP68
Material Finish:	Anodised
Min Operating Temperature:	-40°C
Max Panel Thickness:	5mm
Min Panel Thickness:	1.5mm
Operating Humidity:	43°C - 98%
Max Operating Frequency:	+100°C
Rohs Compliant:	Yes
Salt Spray Corrosion Test:	500hr
Shock Resistance:	100G - 6ms

// Product PDF Links

[Standard Series USB connectors...](#)

// Product 3D CAD Model Links

[PXM06195FANBKUS3D CAD Model](#)