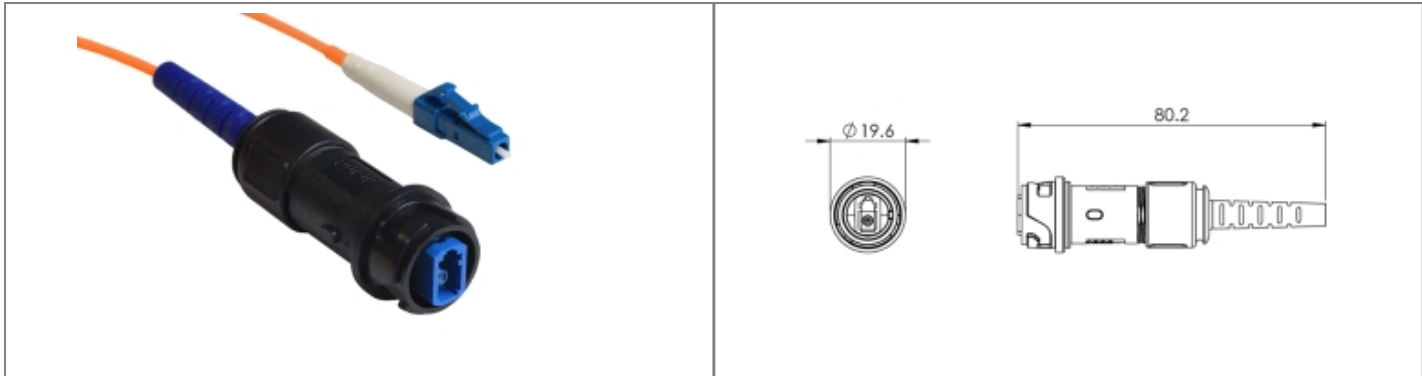


PXF4051BAE Datasheet

Product Name // 100 M, Multimode, Cabled, Inline fiber connector

[View Product Page](#)



// Product Description:

- ⊞ Inline Fiber Connector to LC type Connector
- ⊞ Sealed to IP66, IP68, IP69K when mated with compatible connector
- ⊞ no cable options, or pre-terminated from 5M - 450M available
- ⊞ Simplex LC type fiber connector
- ⊞ Choices of OS1, OM1 and OM3 cables for single or multimode
- ⊞ PXP4082 Sealing Cap available separately to maintain IP rating of unmated connectors
- ⊞ Mate with flex fiber connector PXF4050

// General Information:

<p>Product Display Title:</p> <p>Product Family:</p> <p>Product Series:</p> <p>Body Material:</p> <p>Contact Type:</p> <p>Coupling Type:</p> <p>Diameter Over Coupling Ring Mm:</p> <p>Fibre Mode:</p> <p>Flamability Rating:</p> <p>Function:</p> <p>Ip Rating:</p> <p>Max Operating Temperature:</p> <p>Min Operating Temperature:</p>	<p>Inline Fiber Connector to LC type Connector</p> <p>Circular Fiber Connectors</p> <p>4000 Series - Simplex LC Fiber Buccaneer</p> <p>Polycarbonate/Polybutylene Terephthalate (PC/PBT)</p> <p>LC Fiber</p> <p>30 Degree coupling</p> <p>19.7mm</p> <p>OM1</p> <p>UL94V-0</p> <p>Inline to LC Connector Double Ended Fiber Cable</p> <p>IP66, IP68, IP69K</p> <p>+70°C</p> <p>-20°C</p>
---	--

// Product PDF Links

[4000 Series Fiber connectors...](#)

// Product 3D CAD Model Links

[PXF4051BAE3D CAD Model](#)