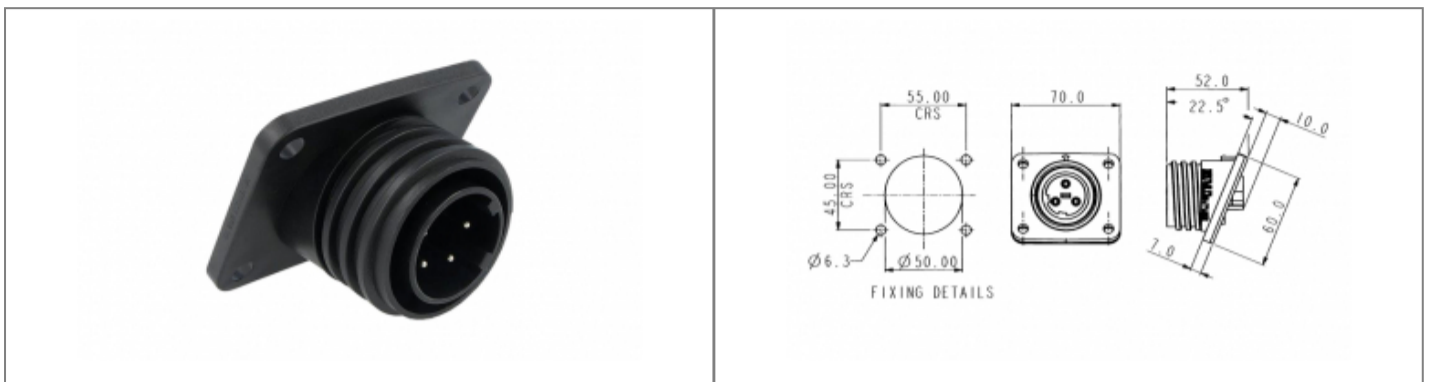


PX0941/07/P Datasheet

Product Name // Flange Mount Connector PX0941 Series 7

[View Product Page](#)

Contact Plug



// Product Description:

- ⬢ Flange Mount Connector
- ⬢ Water and dustproof to IP68 when mated with compatible connector
- ⬢ Positive fast-acting locking ring - can be turned with a gloved hand
- ⬢ Plug or Socket
- ⬢ 2, 3, 4, 5, 7, 10 Contact with leading Earth on 3, 4, 5, 7 Contact versions, trailing Neutral on 5 Contact version
- ⬢ Supplied with high grade sealing gasket
- ⬢ Supplied with sealing grommets for panel fixing screws (M6 thread recommended)
- ⬢ Additional Bulkhead Adaptor Moulding available separately (PX0950) to enable connector angle of 45 or 90 degrees
- ⬢ PX0970/PX0992 Sealing Cap available separately to maintain IP rating of unmated connectors
- ⬢ Mate with PX0911 and PXA911 Series Flex Connectors

// General Information:

Product Display Title:	Flange Mount Connector
Product Family:	Circular Power Connectors
Product Series:	900 Series Buccaneer
Approvals:	CSA
Body Material:	Polyamide (PA)
Body Material Type:	Plastic Body
Contact Type:	Plug Contact
Coupling Type:	Screw
Current Max:	25A
Diameter Over Coupling Ring Mm:	58mm
Flamability Rating:	UL94V-0
Function:	Flange Mount Connector
Ip Rating:	IP68
Max Contact Accomodation Awg:	14AWG
Min Contact Accomodation Awg:	10AWG
Max Contact Accomodation Mm2:	4mm2
Min Contact Accomodation Mm2:	2.5mm2
Max Operating Temperature:	+85°C
Min Operating Temperature:	-40°C
Number Of Contacts:	7 Contacts
Voltage Max:	430V

// Product PDF Links

[900 Series power connectors...](#)

[900 Series power connectors wiring...](#)

// Product 3D CAD Model Links

[PX0941/07/P3D CAD Model](#)