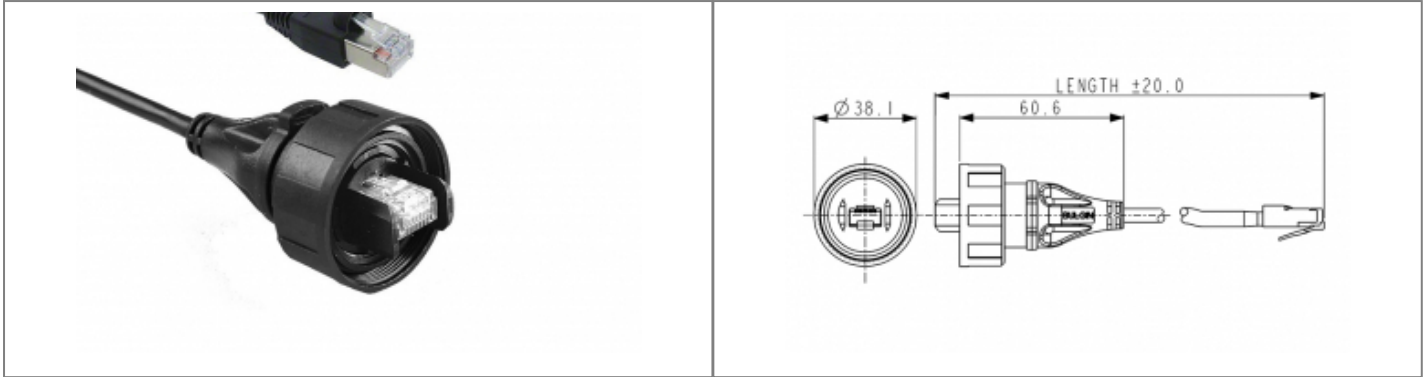


# PX0897/5M00 Datasheet

**Product Name // Overmould Flex Connector PX0897 Series**  
**Pre-Wired Patch Cord IP68 RJ45 to Shielded RJ45 5M Cable**

[View Product Page](#)



## // Product Description:

- ⊗ Cat 5e and Cat 6a Options
- ⊗ Pre-Wired Patch Cord with overmoulded connector(s)
- ⊗ Water and dustproof to IP68 when mated with compatible connector
- ⊗ Supplied with shielded RJ45 plug
- ⊗ S-FTP cable construction
- ⊗ PUR or PVC jacket cable in a choice of lengths depending on part code suffix
- ⊗ Choice of:
  - ⊗ IP68 RJ45 to bare end (part codes prefixed PX0836, PX0896)
  - ⊗ IP68 RJ45 to Shielded RJ45 (part codes prefixed PX0837, PX0897)
  - ⊗ IP68 RJ45 to IP68 RJ45 (part codes prefixed PX0838, PX0898)
  - ⊗ PX0835 Sealing Cap available separately to maintain IP rating of unmated connectors
  - ⊗ Mate with all PX08 Standard Series RJ45 Panel Mount Connectors

## // General Information:

<b>Product Display Title:</b>	Cat 5e and Cat 6a Options
<b>Product Family:</b>	Circular Data Connectors
<b>Product Series:</b>	Standard Buccaneer - Ethernet
<b>Body Material:</b>	PVC
<b>Contact Type:</b>	Plug Contact
<b>Coupling Type:</b>	Screw
<b>Current Max:</b>	1.5A
<b>Data Cable Type:</b>	IP68 RJ45 to Shielded RJ45
<b>Diameter Over Coupling Ring Mm:</b>	38.1mm
<b>Flamability Rating:</b>	UL94V-0
<b>Function:</b>	Flex to Standard Connector Double Ended Cable
<b>Ip Rating:</b>	IP68, IP69K
<b>Max Operating Temperature:</b>	+70°C
<b>Min Operating Temperature:</b>	-20°C
<b>Number Of Contacts:</b>	8 Contacts
<b>Voltage Max:</b>	42V

### // Product PDF Links

[Standard Series Ethernet...](#)

### // Product 3D CAD Model Links

[PX0897/5M003D CAD Model](#)



Have a question or project enquiry  
you'd like to talk to us about?



[Click Here To Contact Us](#)