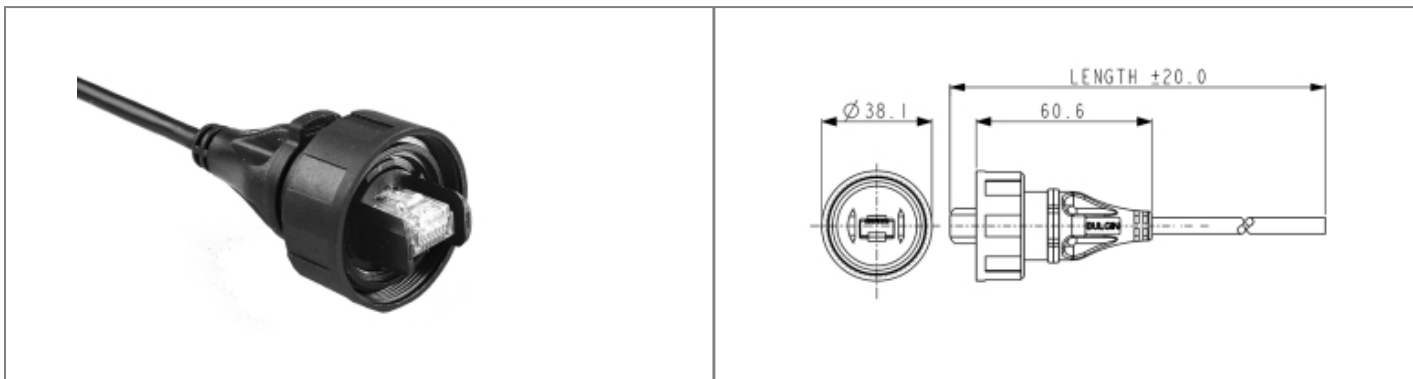


PX0896/2M00 Datasheet

Product Name // Overmould Flex Connector PX0896 Series Pre-Wired Patch Cord IP68 RJ45 to Bare End 2M Cable

[View Product Page](#)


// Product Description:

- ⊗ Cat 5e and Cat 6a Options
- ⊗ Pre-Wired Patch Cord with overmoulded connector(s)
- ⊗ Water and dustproof to IP68 when mated with compatible connector
- ⊗ Supplied with shielded RJ45 plug
- ⊗ S-FTP cable construction
- ⊗ PUR jacket cable in a choice of lengths depending on part code suffix
- ⊗ Choice of:
- ⊗ IP68 RJ45 to bare end (part codes prefixed PX0836, PX0896)
- ⊗ IP68 RJ45 to Shielded RJ45 (part codes prefixed PX0837, PX0897)
- ⊗ IP68 RJ45 to IP68 RJ45 (part codes prefixed PX0838, PX0898)
- ⊗ PX0835 Sealing Cap available separately to maintain IP rating of unmated connectors
- ⊗ Mate with all PX08 Standard Series RJ45 Panel Mount Connectors

// General Information:

| | |
|---------------------------------|-----------------------------------|
| Product Display Title: | Cat 5e and Cat 6a Options |
| Product Family: | Circular Data Connectors |
| Product Series: | Standard Buccaneer - Ethernet |
| Body Material: | PVC |
| Cable Length: | 2m |
| Contact Type: | Plug Contact |
| Coupling Type: | Screw |
| Current Max: | 1.5A |
| Data Cable Type: | IP68 RJ45 to Bare End |
| Diameter Over Coupling Ring Mm: | 38.1mm |
| Flamability Rating: | UL94V-0 |
| Function: | Flex Connector Single Ended Cable |
| Ip Rating: | IP68, IP69K |
| Max Operating Temperature: | +70°C |
| Min Operating Temperature: | -20°C |
| Number Of Contacts: | 8 Contacts |
| Voltage Max: | 42V |

// Product PDF Links

[Standard Series Ethernet...](#)

// Product 3D CAD Model Links

[PX0896/2M003D CAD Model](#)


Have a question or project enquiry
you'd like to talk to us about?



[Click Here To Contact Us](#)