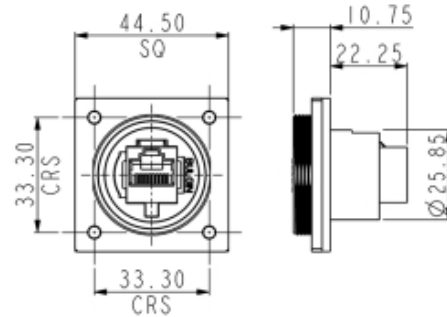


PX0890 Datasheet

Product Name // Flange Mount Connector PX0890 Series CAT6a Shielded Coupler

[View Product Page](#)


// Product Description:

- ⊞ Flanged Mounting Connector
- ⊞ Water and dustproof to IP68 when mated with compatible connector
- ⊞ Supplied with panel sealing gasket and screw sealing washers
- ⊞ CAT5e or Cat6a shielded coupler - standard RJ45 patchcord can be plugged into rear
- ⊞ PX0870/E version has additional Earth wire
- ⊞ PX0733 Sealing Cap available separately to maintain IP rating of unmated connectors
- ⊞ Mate with Cat 5e PX0834, PX0836, PX0837, PX0838 Standard Series Flex Cable Connectors
- ⊞ Mate with Cat 6a PX0894, PX0896, PX0897, PX0898 Standard Series Flex Cable Connectors

// General Information:

Product Display Title:	Flanged Mounting Connector
Product Family:	Circular Data Connectors
Product Series:	Standard Buccaneer - Ethernet
Body Material:	Polyester (PET)
Body Material Type:	Plastic Body
Contact Type:	Socket Contact
Coupling Type:	Screw
Current Max:	1.5A
Data Cable Type:	IP68 RJ45 Coupler
Diameter Over Coupling Ring Mm:	38.1mm
Ethernet Category:	Cat 6a
Flamability Rating:	UL94V-0
Function:	Flange Mount Connector
Ip Rating:	IP68, IP69K
Max Operating Temperature:	+70°C
Min Operating Temperature:	-20°C
Number Of Contacts:	8 Contacts
Voltage Max:	42V

// Product PDF Links

[Standard Series Ethernet...](#)

// Product 3D CAD Model Links

[PX08903D CAD Model](#)