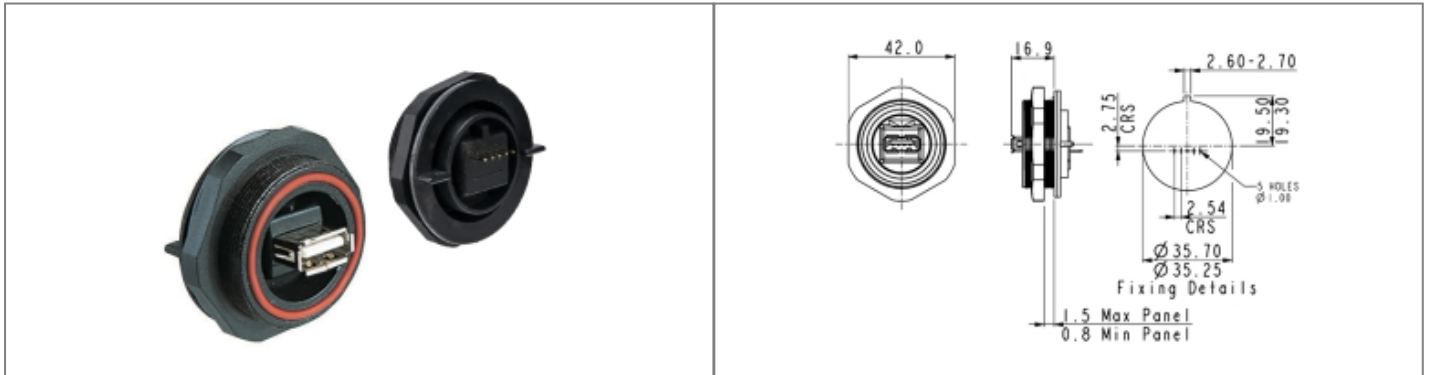


**Product Name // Rear Panel Mount USB 2.0 Connector**
**PX0845 Series Sealed A Socket Front of Panel to PCB**
**Mount Contacts**
 [View Product Page](#)

**// Product Description:**

- ⊞ Rear Panel Mount PCB Mount Connector
- ⊞ Water and dustproof to IP68 when mated with compatible connector
- ⊞ Sealed Standard USB 2.0 Type A socket to direct mount PCB contacts
- ⊞ PX0711 Sealing Cap available separately to maintain IP rating of unmated connectors
- ⊞ Mate with PX0840, PX0841 USB Cables

**// General Information:**

Product Display Title:	Rear Panel Mount PCB Mount Connector
Product Family:	Circular Data Connectors
Product Series:	Standard Buccaneer - USB
Body Colour:	Black
Body Material:	Polyester (PE) - Glass Filled
Body Material Type:	Plastic Body
Contact Type:	Socket Contact
Coupling Type:	Screw
Current Max:	1A
Data Cable Type:	USB 2.0 Sealed A Socket to PCB Mount
Diameter Over Coupling Ring Mm:	38.1mm
Flamability Rating:	UL94V-0
Function:	Rear Panel Mount Connector
Ip Rating:	IP68, IP69K
Max Operating Temperature:	+70°C
Min Operating Temperature:	0°C
Number Of Contacts:	4 Contacts
Rohs Compliant:	Yes
Voltage Max:	5V

**// Product PDF Links**
 [Standard Series USB connectors...](#)
**// Product 3D CAD Model Links**
 [PX0845/A3D CAD Model](#)