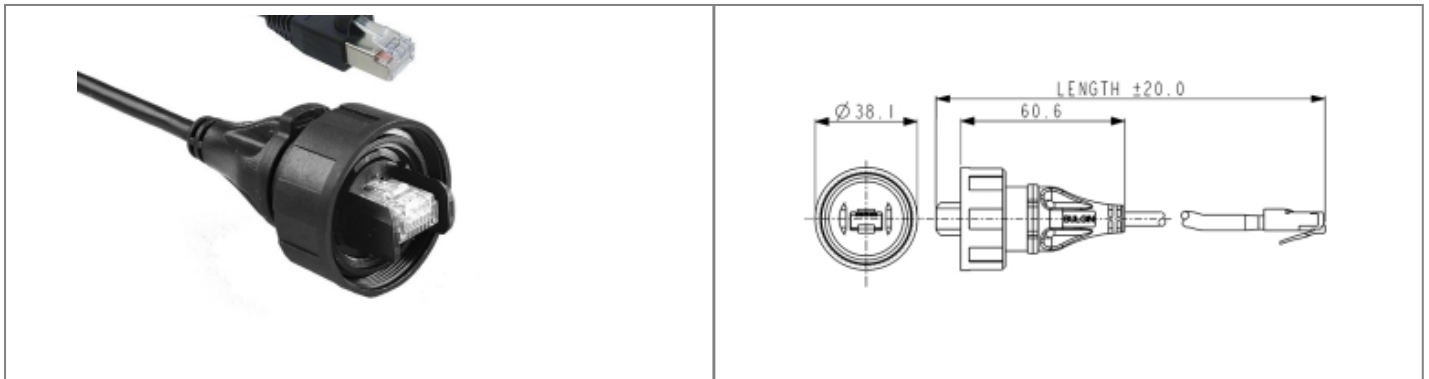


PX0837/2M00 Datasheet

Product Name // Overmould Flex Connector PX0837 Series Pre-Wired Patch Cord IP68 RJ45 to Shielded RJ45 2M Cable

[View Product Page](#)


// Product Description:

- ⊞ Cat 5e and Cat 6a Options
- ⊞ Pre-Wired Patch Cord with overmoulded connector(s)
- ⊞ Water and dustproof to IP68 when mated with compatible connector
- ⊞ Supplied with shielded RJ45 plug
- ⊞ S-FTP cable construction
- ⊞ PUR jacket cable in a choice of lengths depending on part code suffix
- ⊞ Choice of:
 - ⊞ IP68 RJ45 to bare end (part codes prefixed PX0836, PX0896)
 - ⊞ IP68 RJ45 to Shielded RJ45 (part codes prefixed PX0837, PX0897)
 - ⊞ IP68 RJ45 to IP68 RJ45 (part codes prefixed PX0838, PX0898)
 - ⊞ PX0835 Sealing Cap available separately to maintain IP rating of unmated connectors
 - ⊞ Mate with all PX08 Standard Series RJ45 Panel Mount Connectors

// General Information:

Product Display Title:	Cat 5e and Cat 6a Options
Product Family:	Circular Data Connectors
Product Series:	Standard Buccaneer - Ethernet
Change Notes:	PRODUCT-MOQ-ADJUSTMENT
Body Material:	PVC
Cable Length:	2m
Contact Type:	Plug Contact
Coupling Type:	Screw
Current Max:	1.5A
Data Cable Type:	IP68 RJ45 to Shielded RJ45
Diameter Over Coupling Ring Mm:	38.1mm
Flamability Rating:	UL94V-0
Function:	Flex to Standard Connector Double Ended Cable
Ip Rating:	IP68, IP69K
Max Operating Temperature:	+70°C
Min Operating Temperature:	-20°C
Number Of Contacts:	8 Contacts
Rohs Compliant:	Yes
Voltage Max:	42V

// Product PDF Links

[Standard Series Ethernet...](#)

// Product 3D CAD Model Links

[PX0837/2M003D CAD Model](#)