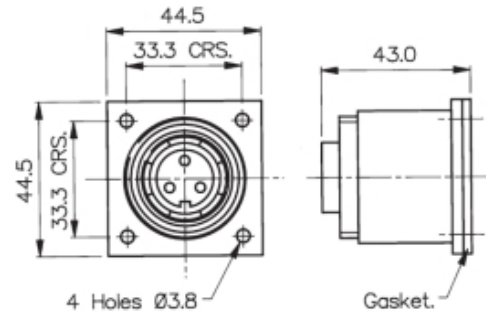


PX0760/P/YL2 Datasheet

Product Name // Bulkhead Flange Mount Connector PX0760 Series 7 Contact Plug Screw Termination (Contacts Supplied Fitted) Yellow Insert

[View Product Page](#)


// Product Description:

- ⬢ Bulkhead Flange Mount Connectors
- ⬢ Water and dustproof to IP68 when mated with compatible connector
- ⬢ Screw fixing flange, supplied with sealing gasket and screw sealing grommets
- ⬢ Plug or Socket
- ⬢ 2, 3, 4, 6, 7, 9, 12, 25 Contact with leading Earth contact on 3 Contact Socket versions
- ⬢ Screw, Crimp, Crimp/Solder Terminations available, depending on part code and number of Contacts
- ⬢ Screw contacts supplied fitted, Crimp contacts supplied loose (Crimp/Solder contacts and fitting tools available separately)
- ⬢ Choice of coloured inserts to enable positive visual identification of connector:
- ⬢ Part codes suffixed with a colour code followed by 2 have that colour insert
- ⬢ Colour choices and colour codes: Blue (BL), Green (GN), Grey (GY), Light Grey (LG), Red (RD), White (WH), Yellow (YL), Black (standard colour, no suffix code)
- ⬢ PX0733 Sealing Cap available separately to maintain IP rating of unmated connectors
- ⬢ Mate with PX07 Series Flex Connectors

// General Information:

Product Display Title:	Bulkhead Flange Mount Connectors
Product Family:	Circular Power Connectors
Product Series:	Standard Buccaneer
Approvals:	CSA, UL, VDE
Body Material:	Polyamide (PA)- Glass Filled
Contact Type:	Plug Contact
Coupling Type:	Screw
Current Max:	3A, 5A
Diameter Over Coupling Ring Mm:	38.1mm
Flamability Rating:	UL94HB
Function:	Bulkhead Flange Mount Connector
Insert Colour:	Yellow Insert
Ip Rating:	IP68, IP69K
Max Operating Temperature:	+70°C
Min Operating Temperature:	-20°C
Number Of Contacts:	7 Contacts
Voltage Max:	277V

// Product PDF Links

[Standard Series power connectors...](#)
[Standard Series power connectors...](#)

// Product 3D CAD Model Links

[PX0760/P/YL23D CAD Model](#)