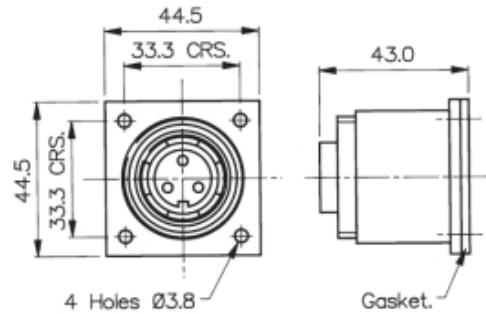


**Product Name // Bulkhead Flange Mount Connector**  
**PX0756 Series 3 Contact Socket Screw Termination**  
**(Contacts Supplied Fitted) Grey Insert**

[View Product Page](#)


### // Product Description:

- ⊕ Bulkhead Flange Mount Connectors
- ⊕ Water and dustproof to IP68 when mated with compatible connector
- ⊕ Screw fixing flange, supplied with sealing gasket and screw sealing grommets
- ⊕ Plug or Socket
- ⊕ 2, 3, 4, 6, 7, 9, 12, 25 Contact with leading Earth contact on 3 Contact Socket versions
- ⊕ Screw, Crimp, Crimp/Solder Terminations available, depending on part code and number of Contacts
- ⊕ Screw contacts supplied fitted, Crimp contacts supplied loose (Crimp/Solder contacts and fitting tools available separately)
- ⊕ Choice of coloured inserts to enable positive visual identification of connector:
- ⊕ Part codes suffixed with a colour code followed by 2 have that colour insert
- ⊕ Colour choices and colour codes: Blue (BL), Green (GN), Grey (GY), Light Grey (LG), Red (RD), White (WH), Yellow (YL), Black (standard colour, no suffix code)
- ⊕ PX0733 Sealing Cap available separately to maintain IP rating of unmated connectors
- ⊕ Mate with PX07 Series Flex Connectors

### // General Information:

|                                 |                                  |
|---------------------------------|----------------------------------|
| Product Display Title:          | Bulkhead Flange Mount Connectors |
| Product Family:                 | Circular Power Connectors        |
| Product Series:                 | Standard Buccaneer               |
| Approvals:                      | CSA, UL, VDE                     |
| Body Material:                  | Polyamide (PA)- Glass Filled     |
| Contact Type:                   | Socket Contact                   |
| Coupling Type:                  | Screw                            |
| Current Max:                    | 10A, 12A                         |
| Diameter Over Coupling Ring Mm: | 38.1mm                           |
| Flamability Rating:             | UL94HB                           |
| Function:                       | Bulkhead Flange Mount Connector  |
| Insert Colour:                  | Grey Insert                      |
| Ip Rating:                      | IP68, IP69K                      |
| Max Operating Temperature:      | +70°C                            |
| Min Operating Temperature:      | -20°C                            |
| Number Of Contacts:             | 3 Contacts                       |
| Voltage Max:                    | 277V                             |

#### // Product PDF Links

[Standard Series power connectors...](#)
[Standard Series power connectors...](#)

#### // Product 3D CAD Model Links

[PX0756/S/GY23D CAD Model](#)