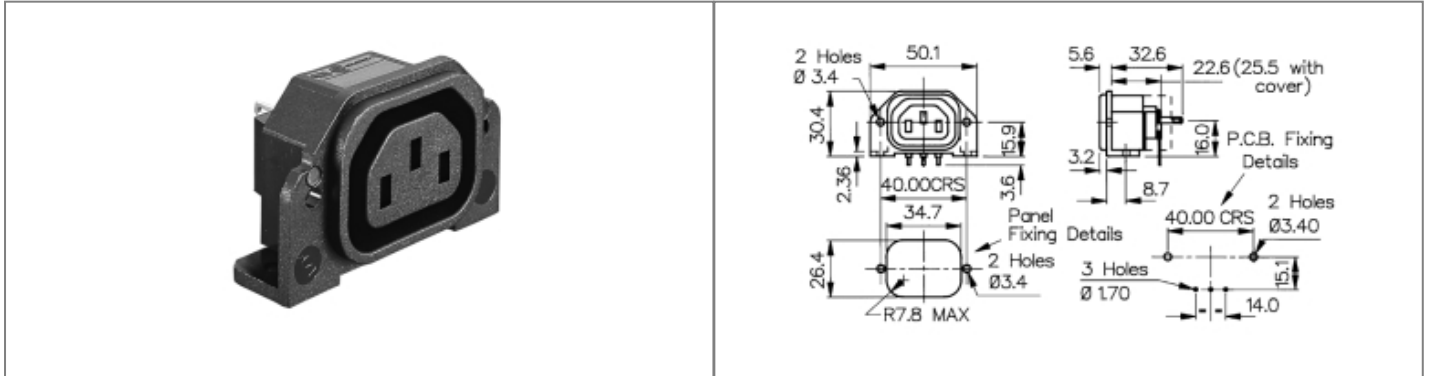


**Product Name // IEC Connector PCB Mount Flange Rear
Mount Outlet PX0675 Series Black No Cover PCB Spills
Termination EN60 320-2-2 Standard Sheet F Class I**

[View Product Page](#)


// Product Description:

- ⊗ Flange Mount IEC Outlets
- ⊗ EN60 320-2-2 Standard Sheet F Class I
- ⊗ Choice of Termination depending on part code: /28 - 2.8mm Solder Tag, /48 - 4.8mm Tab, /63 - 6.3mm Tab, /PC - PCB Spills
- ⊗ Choice of colour depending on part code: /WH - White, /GY - Grey, no suffix - Black (some approvals apply to specific colour and/or Termination choices only - see data for details)
- ⊗ PCB Mount version (part codes containing /PC) available with rear cover (part codes suffixed /12599), for all other versions Insulation Boot for rear of connector available separately (part code 12075)
- ⊗ Retaining Clip KT0006 available separately to prevent accidental removal of mating connector (for use with PX0686 Female Connector only)
- ⊗ Blanking Cover for front of connector available separately (part code 14228)
- ⊗ Mate with PX0685, PX0686, PX0686/SE

// General Information:

Product Display Title:	Flange Mount IEC Outlets
Product Family:	IEC Connectors
Product Series:	IEC60320 Main Inlets and Outlets
Approvals:	CSA, ENEC, UL, VDE
Body Material:	Nylon 66
Current Max:	10A, 15A
Flamability Rating:	UL94V-0
Function:	Flange Mount Connector
iec Connector Colour:	Black
iec Connector Mates With:	PX0685,PX0686,PX0686/SE
iec En60620 Type:	EN60 320-2-2 Standard Sheet F Class I
iec Pcb Rear Cover:	No Cover
Max Operating Temperature:	+70°C
Min Operating Temperature:	-40°C
Number Of Contacts:	3 Contacts
Rohs Compliant:	Yes
Voltage Max:	250V

// Product PDF Links

[IEC Connectors product data](#)

// Product 3D CAD Model Links

[PX0675/PC3D CAD Model](#)