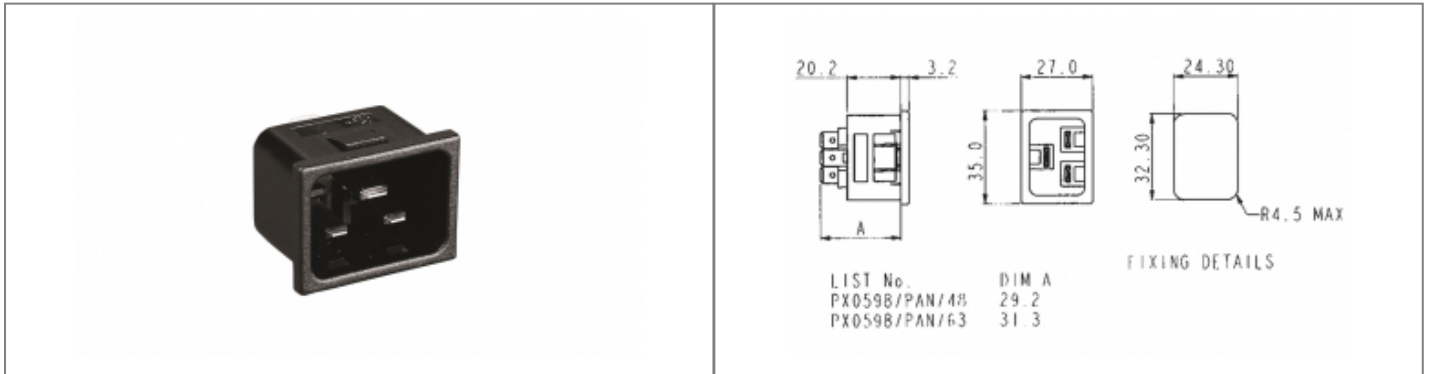


PX0598/30/48 Datasheet

**Product Name // IEC Connector Snap Fit To Panel C20
Inlet PX0598 Series 3mm Panel 4.8mm Tab Termination
EN60 320-1 Standard Sheet C20 Class I**

[View Product Page](#)



// Product Description:

- ⊞ Snap Fit To Panel Mount C20 IEC Inlets
- ⊞ EN60 320-1 Standard Sheet C19 Class I and Standard Sheet C20 Class I
- ⊞ Cold Condition
- ⊞ Choice of panel thickness depending on part code: /10 - 1mm, /15 - 1.5mm, /20 - 2mm, /30 - 3mm
- ⊞ Choice of Termination depending on part code: /48 - 4.8mm Tab, /63 - 6.3mm Tab
- ⊞ Insulation Boot for rear of connector available separately (part code 14064)
- ⊞ Mate with PX0599

// General Information:

Product Display Title:	Snap Fit To Panel Mount C20 IEC Inlets
Product Family:	IEC Connectors
Product Series:	IEC60320 Main Inlets and Outlets
Approvals:	CSA, ENEC, UL, VDE
Body Material:	Nylon 66
Current Max:	16A, 20A
Flamability Rating:	UL94V-0
Function:	Panel Mount Connector
iec Connector Mates With:	PX0599
iec En60620 Type:	EN60 320-1 Standard Sheet C20 Class I
Max Operating Temperature:	+70°C
Min Operating Temperature:	-40°C
Max Panel Thickness:	3mm
Min Panel Thickness:	3mm
Number Of Contacts:	3 Contacts
Voltage Max:	250V

// Product PDF Links

[IEC Connectors product data](#)

// Product 3D CAD Model Links

[PX0598/30/483D CAD Model](#)

// Product Certificate Links

[UL Certificate](#)