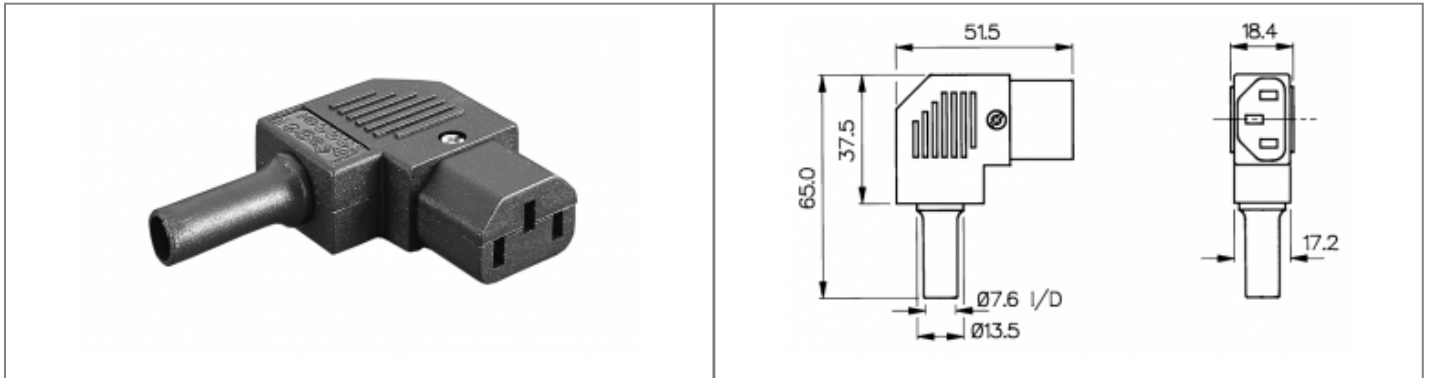


PX0587/SE Datasheet

Product Name // Side Entry Female IEC Connector PX0587
Series Black Screw Terminals EN60 320-1 Standard Sheet
C13 Class I

[View Product Page](#)



// Product Description:

- Female IEC Connectors
- EN60 320-1 Standard Sheet C13 Class I
- Cold Condition
- Cable mount
- Screw Terminal (rewireable)
- Choice of Straight (part codes prefixed PX0587), Side Entry (part codes prefixed PX0587/SE) and Angled (part codes prefixed PX0588)
- PX0587, PX0587/SE available in choice of colour, depending on part code suffix: /WH - White, /GY - Grey, no suffix - Black (some approvals apply to specific colour only - see data for details)
- Mate with PX0575, PX0579, PX0580, PF0001, PF0011, PF0030, PF0033

// General Information:

Product Display Title:	Female IEC Connectors
Product Family:	IEC Connectors
Product Series:	IEC60320 Main Inlets and Outlets
Approvals:	ENEC, VDE
Body Material:	Nylon 66
Current Max:	10A
Flamability Rating:	UL94V-0
Function:	Side Entry Female Connector
iec Connector Colour:	Black
iec Connector Mates With:	PX0575,PX0579,PX0580,PF0001,PF0011,PF0030,PF0033
iec En60620 Type:	EN60 320-1 Standard Sheet C13 Class I
Max Operating Temperature:	+70°C
Min Operating Temperature:	-40°C
Number Of Contacts:	3 Contacts
Voltage Max:	250V

// Product PDF Links

[IEC Connectors product data](#)

[PX0587, PX0587/SE, PX0588, PX0597...](#)

// Product 3D CAD Model Links

[PX0587/SE3D CAD Model](#)

// Product Certificate Links

[VDE Certificate - PX0587 CB](#)

[VDE Certificate - PX0587](#)

[CE Certificate - PX0587](#)