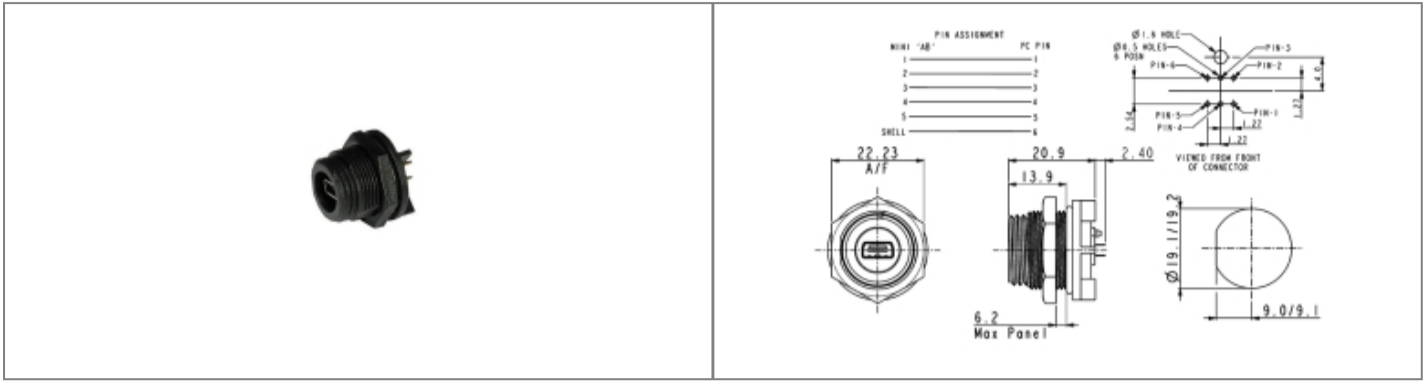


**Product Name // Rear Panel Mount PCB Mount Connector
 USB Sealed Mini AB Socket**
 [View Product Page](#)

// Product Description:

- ⊞ Rear Panel Mount Mini USB Type AB Socket
- ⊞ Water and dustproof to IP68 when mated with compatible connector
- ⊞ Choice of Terminations depending on part code:
- ⊞ PX0457 leaded, terminating in a 6 way header
- ⊞ PX0458 direct PCB Mount
- ⊞ PX0484 Sealing Cap available separately to maintain IP rating of unmated connectors
- ⊞ Mate with PX0441, PX0442, PX0444 Cables

// General Information:

Product Display Title:	Rear Panel Mount Mini USB Type AB Socket
Product Family:	Circular Data Connectors
Product Series:	400 Series - Mini USB Buccaneer
Body Material:	Polyamide (PA)
Body Material Type:	Plastic Body
Contact Type:	Socket Contact
Coupling Type:	Screw
Current Max:	1A
Data Cable Type:	USB Sealed Mini AB Socket
Diameter Over Coupling Ring Mm:	19.1mm
Flamability Rating:	UL94V-0
Function:	Rear Panel Mount PCB Mount Connector
Ip Rating:	IP68, IP69K
Max Operating Temperature:	+70°C
Min Operating Temperature:	0°C
Number Of Contacts:	5 Contacts
Voltage Max:	42V

// Product PDF Links
 [400 Series USB connectors product...](#)
// Product 3D CAD Model Links
 [PX04583D CAD Model](#)