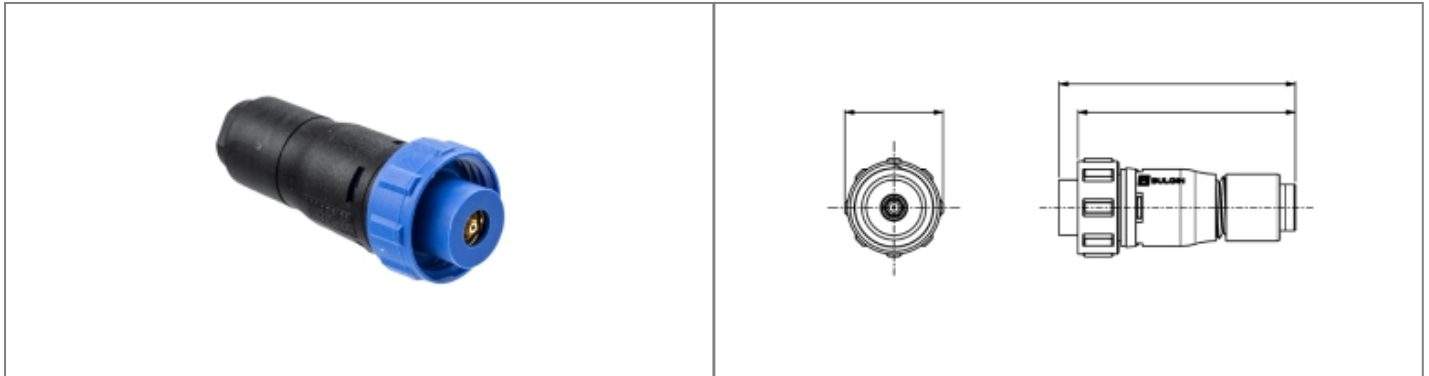


PX0415/1 Datasheet

Product Name // Rewireable Flex SMB Connector For RG-174 Cable

[View Product Page](#)


// Product Description:

- ⊞ Rewireable SMB Connector
- ⊞ Water and dustproof to IP68 when mated with compatible connector
- ⊞ Frequency range 0-4GHz
- ⊞ Supplied with 50 Ohm impedance SMB plug
- ⊞ For RG-174 cable
- ⊞ 14319 hand crimp tool available separately
- ⊞ Pre-wired connector also available (PX0416)
- ⊞ PX0481 Sealing Cap available separately to maintain IP rating of unmated connectors
- ⊞ Mate with Panel connector PX0414

// General Information:

Product Display Title:	Rewireable SMB Connector
Product Family:	Circular Data Connectors
Product Series:	400 Series - SMB Buccaneer
Approvals:	CSA, UL, VDE
Body Material:	Polyamide (PA)
Body Material Type:	Plastic Body
Contact Type:	Plug Contact
Coupling Type:	Screw
Diameter Over Coupling Ring Mm:	19.1mm
Flamability Rating:	UL94V-0
Function:	Flex Cable Connector
Ip Rating:	IP68, IP69K
Max Cable Entry Size:	3mm
Min Cable Entry Size:	2.5mm
Max Operating Temperature:	+80°C
Min Operating Temperature:	-40°C
Number Of Contacts:	1 Contact

// Product PDF Links

[400 Series SMB connectors product...](#)
[PX0415/1 400 Series SMB connector...](#)

// Product 3D CAD Model Links

[PX0415/13D CAD Model](#)