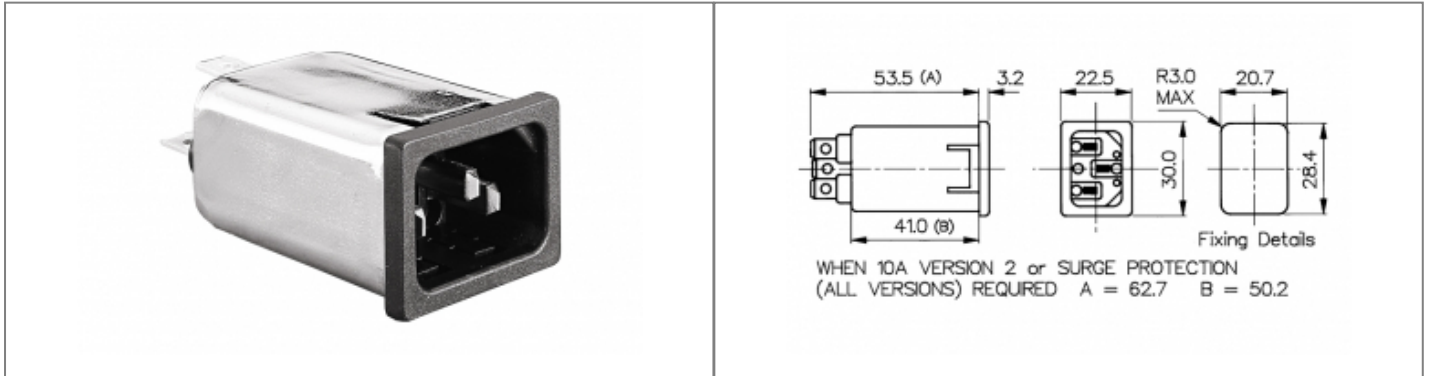


PS01/A0610/6330 Datasheet

Product Name // IEC Filtered Inlet Snap Fit To Panel
6.3mm Tab Termination 3mm Panel A0610 Filter (6A PS01/A
L/C v1)

[View Product Page](#)



// Product Description:

- ⊕ Filtered IEC Power Inlets
- ⊕ 6.3mm Tab Termination
- ⊕ Snap Fit To Panel Mount, with choice of panel thickness depending on part code suffix: /10 - 1mm, /15 - 1.5mm, /20 - 2mm, /30 - 3mm
- ⊕ Choice of 1A, 3A, 6A, 10A current ratings and three alternative filter L/C circuits depending on part code starting /A - see data for details
- ⊕ Also available as Side Fixing Flange Mount (PS00/A Series)
- ⊕ Mate with PX0587, PX0587/SE, PX0588

// General Information:

Product Display Title:	Filtered IEC Power Inlets
Product Family:	IEC Connectors
Product Series:	Mains Filters
Approvals:	CSA, ENEC, UL, VDE
Current Max:	6A
Filter Type:	6A PS01/A L/C v1
Flamability Rating:	UL94V-0
Function:	Filtered Inlet
iec Connector Mates With:	PX0587,PX0587/SE,PX0588
iec Filter Options:	A0610
Inlet Type:	IEC Inlet
Max Operating Temperature:	+85°C
Min Operating Temperature:	-25°C
Max Panel Thickness:	3mm
Min Panel Thickness:	3mm
Voltage Max:	250V

// Product PDF Links

[Mains Filters product data](#)

// Product 3D CAD Model Links

[PS01/A0610/63303D CAD Model](#)