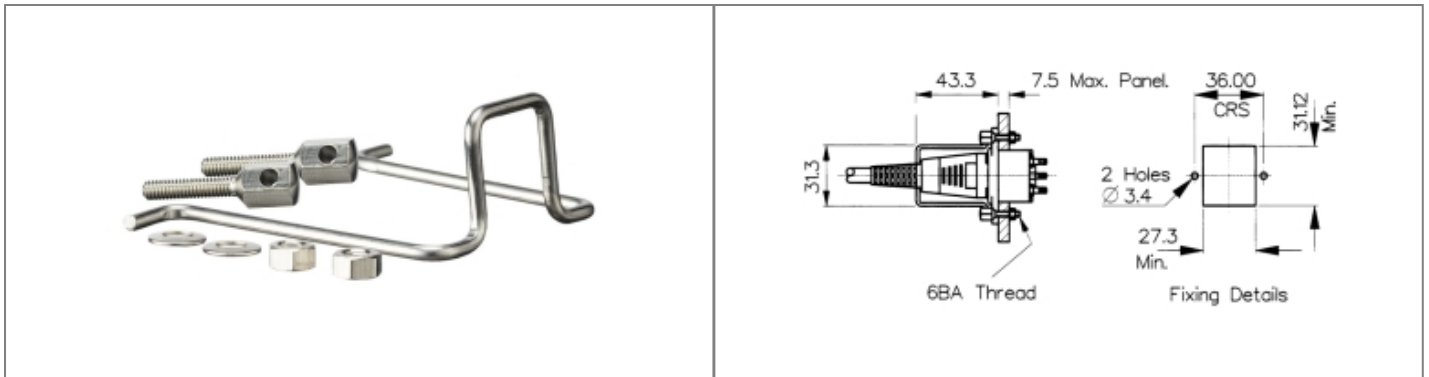


## Product Name // Retaining Clip For Flange Mount Fused Inlet

[View Product Page](#)


### // Product Description:

- ⬡ Retaining Clips
- ⬡ Prevent accidental removal of mating connector
- ⬡ Suitable for the following connector combinations only:
  - ⬡ KT0006 for Flange Mount IEC Inlets: PX0580+PX0587, PX0590+PX0597, PX0690+PX0587, PX0675+PX0686, PX0793+PX0686
  - ⬡ KT0009 for Flange Mount Fused IEC Inlets: PF0001+PX0587, PF0002+PX0587, PF0030+PX0587
  - ⬡ KT0012 for Flange Mount C20 IEC Inlet: PX0596+PX0599

### // General Information:

|                           |   |
|---------------------------|---|
| Product Display Title:    | Retaining Clips                           |
| Product Family:           | IEC Connectors                            |
| Product Series:           | IEC60320 Main Inlets and Outlets          |
| Body Material:            | SS 304                                    |
| Function:                 | Accessory                                 |
| iec Connector Mates With: | PF0001+PX0587,PF0002+PX0587,PF0030+PX0587 |

#### // Product PDF Links

[IEC Connectors product data](#)

#### // Product 3D CAD Model Links

[KT00093D CAD Model](#)