

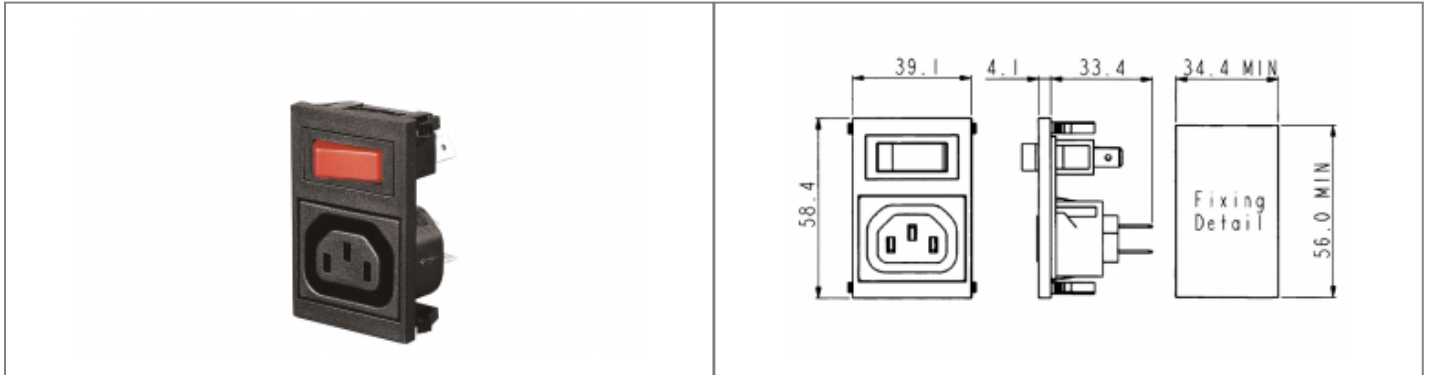
BZV45/Z0000/69 Datasheet

Product Name // Vertical Power Entry Module 58.4mm

Sheet F Non-Shuttered Outlet (PX0695) 6.3mm Tab

Termination Unfiltered Single Contact Switch Marked I/O

 [View Product Page](#)



// Product Description:

- ⊞ Vertical Power Entry Module 58.4mm
- ⊞ Sheet F Shuttered (PX0783) or Non-Shuttered (PX0695) Outlet:
- ⊞ Part codes prefixed BZV47, BZV48: Shuttered Outlet
- ⊞ Part codes prefixed BZV45, BZV46: Non-Shuttered Outlet
- ⊞ Choice of Termination depending on part code:
- ⊞ Part codes prefixed BZV45, BZV47: 6.3mm Tab
- ⊞ Part codes prefixed BZV46, BZV48: 2.8mm Tab
- ⊞ Choice of switch and illumination options as specified by individual part code

// General Information:

| | |
|-----------------------------|------------------------------------|
| Product Display Title: | Vertical Power Entry Module 58.4mm |
| Product Family: | IEC Connectors |
| Product Series: | Power Entry Modules |
| Current Max: | 10A |
| Filter Type: | Unfiltered |
| Function: | Power Entry Module Sheet F Outlet |
| iec Connector Components: | None |
| iec Connector Mates With: | PX0695 |
| iec Filter Options: | Unfiltered |
| iec Vertical Module Height: | 58.4mm |
| Inlet Type: | Sheet F Non-Shuttered Outlet |
| Switch Type: | Single Contact Marked I/O |
| Voltage Max: | 250V |

// Product PDF Links

 [Power Entry Modules product data](#)

// Product 3D CAD Model Links

 [BZV45/Z0000/693D CAD Model](#)