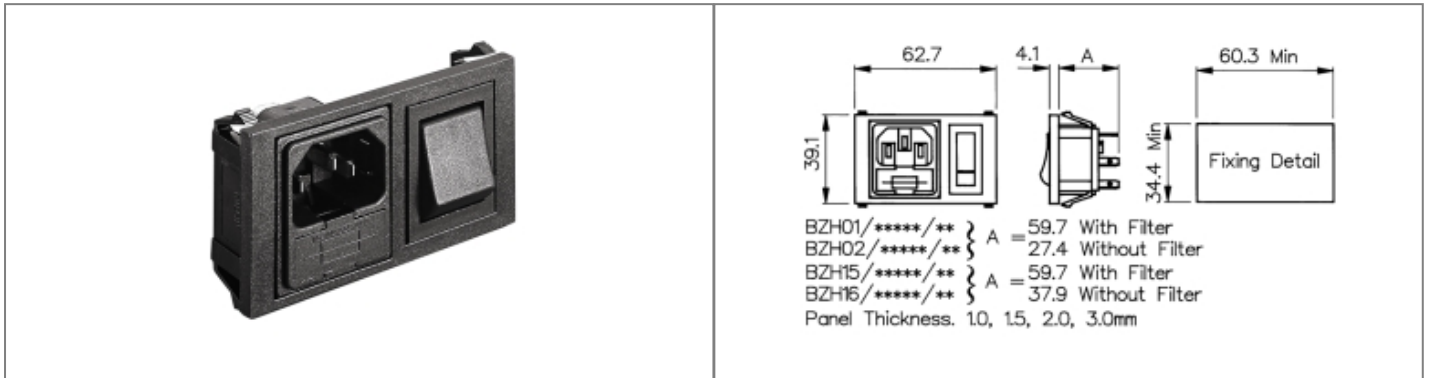


**Product Name // Horizontal Power Entry Module 62.7mm  
C14 Cold Condition Inlet Integral Twin Fused (PF0033)  
2.8mm Tab Termination Unfiltered Single Contact High  
Inrush Switch**

[View Product Page](#)


### // Product Description:

- ⊕ Horizontal Power Entry Module 62.7mm/74.5mm
- ⊕ C14 Cold Condition Inlet with integral fuseholder(s) depending on part code:
- ⊕ Part codes prefixed BZH01, BZH02: PF0011 Single Fused Inlet
- ⊕ Part codes prefixed BZH15, BZH16: PF0033 Twin Fused Inlet
- ⊕ Choice of Termination depending on part code:
- ⊕ Part codes prefixed BZH01, BZH15: 6.3mm Tab
- ⊕ Part codes prefixed BZH02, BZH16: 2.8mm Tab
- ⊕ Choice of mains filter depending on part code:
- ⊕ Part codes containing /Z0000 are unfiltered
- ⊕ Choice of mains filter options (part codes containing codes starting /A)
- ⊕ Choice of many other options as specified by individual part code, including indicators, illuminated switches, switch markings, etc

### // General Information:

Product Display Title:	Horizontal Power Entry Module 62.7mm/74.5mm
Product Family:	IEC Connectors
Product Series:	Power Entry Modules
Current Max:	10A
Filter Type:	Unfiltered
Function:	C14 Inlets
Fuseholder Inlet Type:	Integral Twin Fused
iec Connector Components:	None
iec Connector Mates With:	PF0033
iec Filter Options:	Unfiltered
iec Horizontal Module Width:	62.7mm
Inlet Type:	C14 Cold Condition Inlet
Switch Type:	Single Contact High Inrush
Voltage Max:	250V

#### // Product PDF Links

[Power Entry Modules product data](#)

#### // Product 3D CAD Model Links

[BZH16/Z0000/463D CAD Model](#)