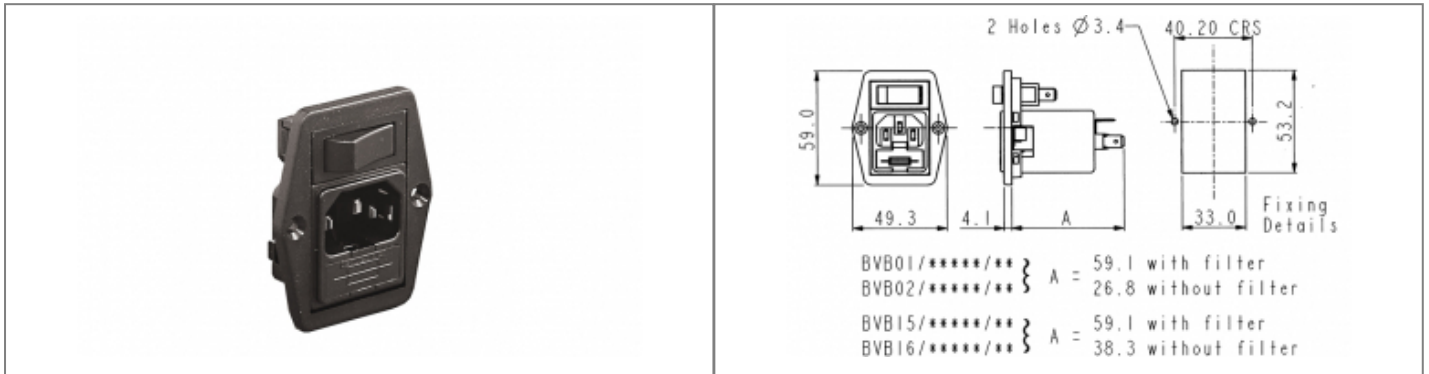


BVB01/A0630/08 Datasheet

**Product Name // Vertical Power Entry Module 59mm Side
Fixing Flange Mount C14 Cold Condition Inlet Integral Single
Fused (PF0011) 6.3mm Tab Termination A0630 Filter (6A
PS21/A L/C v3) Single Contact Illuminated Switch Green**

[View Product Page](#)



// Product Description:

- Vertical Power Entry Module 67.5mm/81.5mm (part codes prefixed BVA) and 59mm/72.3mm (part codes prefixed BVB)
- Screw fix to panel via choice of fixing flanges, depending on part code:
 - Part codes prefixed BVA: Top fixing flanges
 - Part codes prefixed BVB: Side fixing flanges
- C14 Cold Condition Inlet with integral fuseholder(s) depending on part code:
 - Part codes prefixed BVA01, BVB01, BVA02, BVB02: PF0011 Single Fused Inlet
 - Part codes prefixed BVA15, BVB15, BVA16, BVB16: PF0033 Twin Fused Inlet
- Choice of Termination depending on part code:
 - Part codes prefixed BVA01, BVB01, BVA15, BVB15: 6.3mm Tab
 - Part codes prefixed BVA02, BVB02, BVA16, BVB16: 2.8mm Tab
- Choice of mains filter depending on part code:
 - Part codes containing /Z0000 are unfiltered
 - Choice of mains filter options (part codes containing codes starting /A)
- Choice of many other options as specified by individual part code, including indicators, illuminated switches, switch markings, etc

// General Information:

Product Display Title:	Vertical Power Entry Module 67.5mm/81.5mm (part codes prefixed BVA) and 59mm/72.3mm (part codes prefixed BVB)
Product Family:	IEC Connectors
Product Series:	Power Entry Modules
Current Max:	6A
Filter Type:	6A PS21/A L/C v3
Function:	C14 Inlets
Fuseholder Inlet Type:	Integral Single Fused
iec Connector Components:	None
iec Connector Mates With:	PF0011
iec Filter Options:	A0630
iec Neon Colour:	Green
iec Vertical Module Height:	59mm
Inlet Type:	C14 Cold Condition Inlet
Switch Type:	Single Contact Illuminated
Voltage Max:	250V

// Product PDF Links

[Power Entry Modules product data](#)

// Product 3D CAD Model Links

[BVB01/A0630/083D CAD Model](#)